



# FUJI

## NEW PRODUCT INFORMATION

### MARKING PEN

#### 《PENCIL HAMMER》

Fuji Marking Pen featured with outstanding low vibration level compared to conventional marking pens make it possible for operators to use those marking pens continuously for full working hours. Besides the outstanding feature, it needs no oiling. This marking pen really meets the latest market demand for non-vibration and lubrication-free tool.



TUNGSTEN CARBIDE BIT

#### SPECIFICATIONS

MODEL	Overall Length (about)		Weight (about)		Diameter (about)		Air Consumption (about)		Air Pressure	
	mm	in	kg	lb	mm	in	at 6 kg/cm <sup>2</sup>	at 85 lb/in <sup>2</sup>	kg/cm <sup>2</sup>	lb/in <sup>2</sup>
G-400	140	5 <sup>1</sup> / <sub>2</sub>	0.15	0.33	20	<sup>25</sup> / <sub>32</sub>	0.03m <sup>3</sup> /min	1.05ft <sup>3</sup> /min	6-8	85-113



FUJI AIR TOOLS CO., LTD.

1-14, Kamiji 2-chome, Higashinari-ku, Osaka, 537 Japan

Telephone: (06) 972-2335 (Overseas Dept)

(06) 972-2331 (Main)

Facsimile: (06) 972-2250

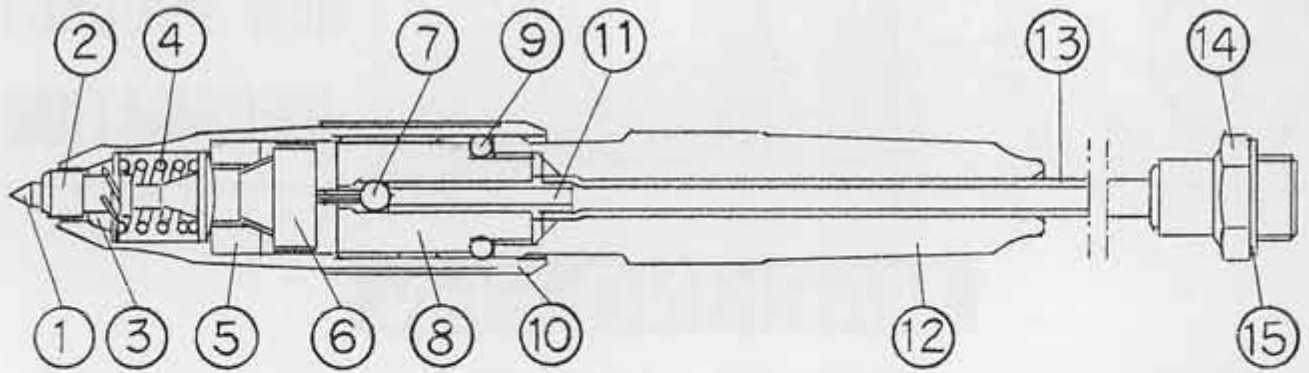
Telex: 5298510 FUJIAT J

Cable Address: "FUJI AIR TOOLS" OSAKA

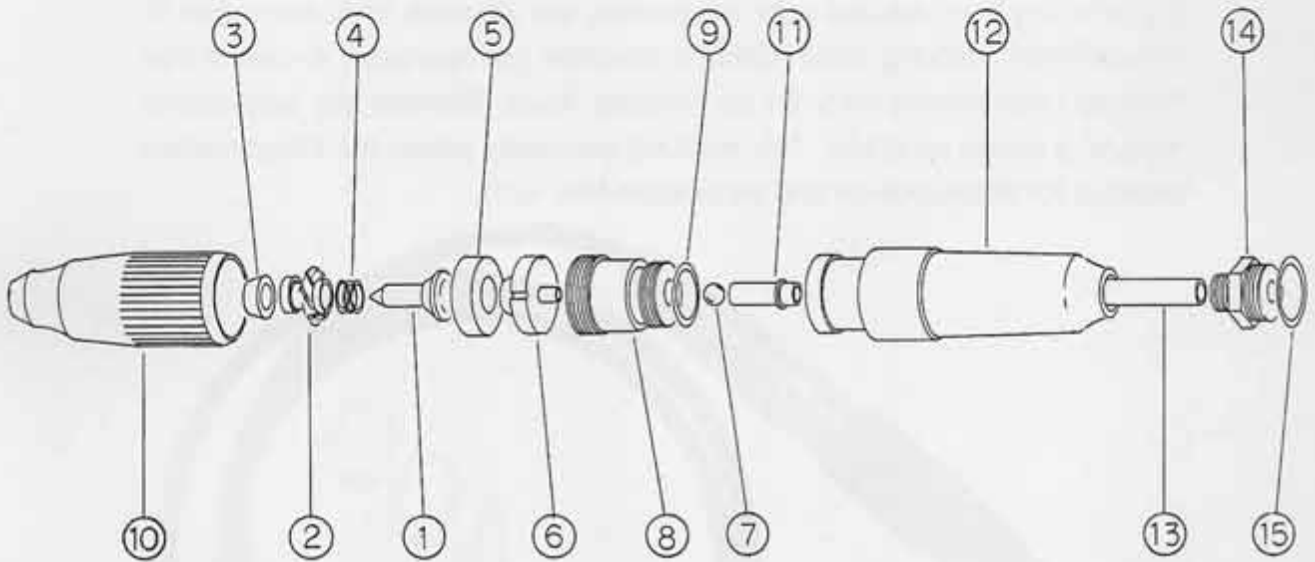
G-920405E

PRINTED IN JAPAN

## SECTIONAL VIEW



## EXPLODED VIEW



## PART LIST:G-400

Part No.	Part Name	Part No.	Part Name
1	Bit	9	°0° Ring
2	Bit Guide	10	Gripe
3	Nose Danper	11	Nipple
4	Spring	12	Housing
5	Danper	13	Air Hose
6	Piston	14	Inlet
7	Ball	15	Washer
8	Valve seat		