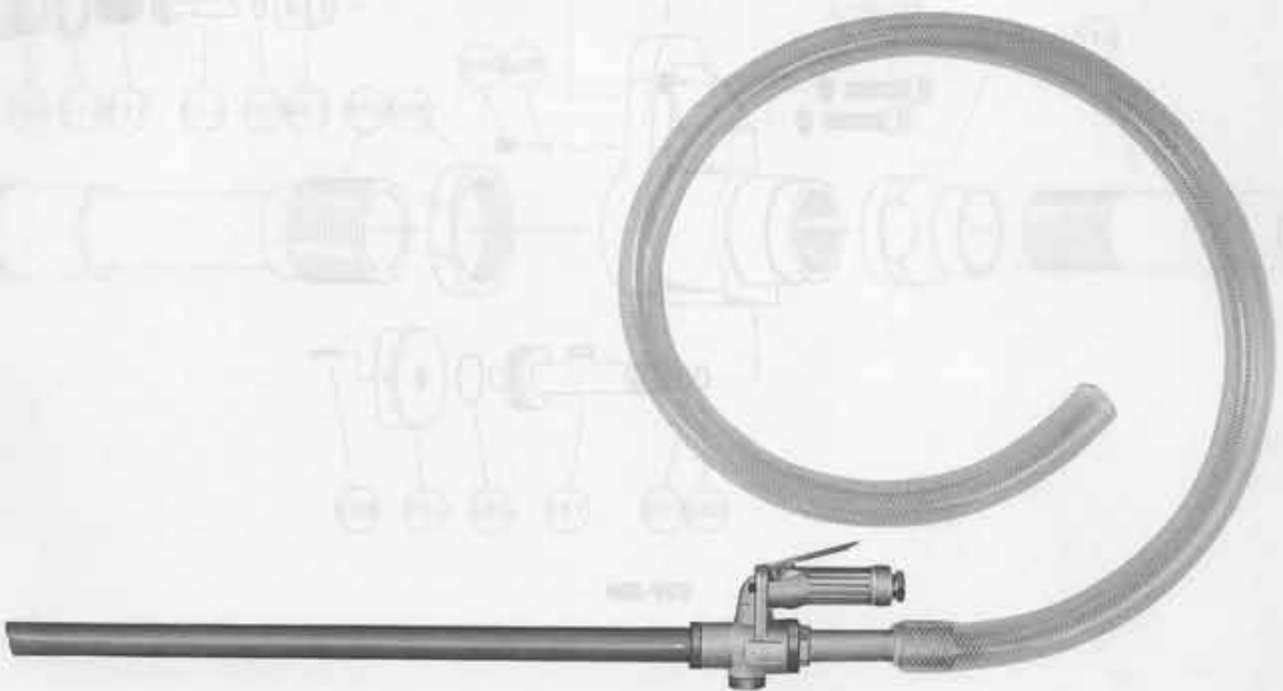




USER MANUAL

JET CLEANER

MODELS : FJP-500



FJP-500

SPECIFICATIONS

Model	Vacuum Degree (about)		Overall Length (about)		Outside Dia. For Discharge	Weight (about)		Max. Air Consumption (about)		Air Inlet Thread Size	Air Hose Size	
	mm Hg	in Hg	mm	in		kg	lb	m ³ /min	ft ³ /min		mm	in
FJP-500	200	7 7/8	1,020	41 11/32	38	1.5	3.3	1.10	38.8	3/8	9.5	3/8

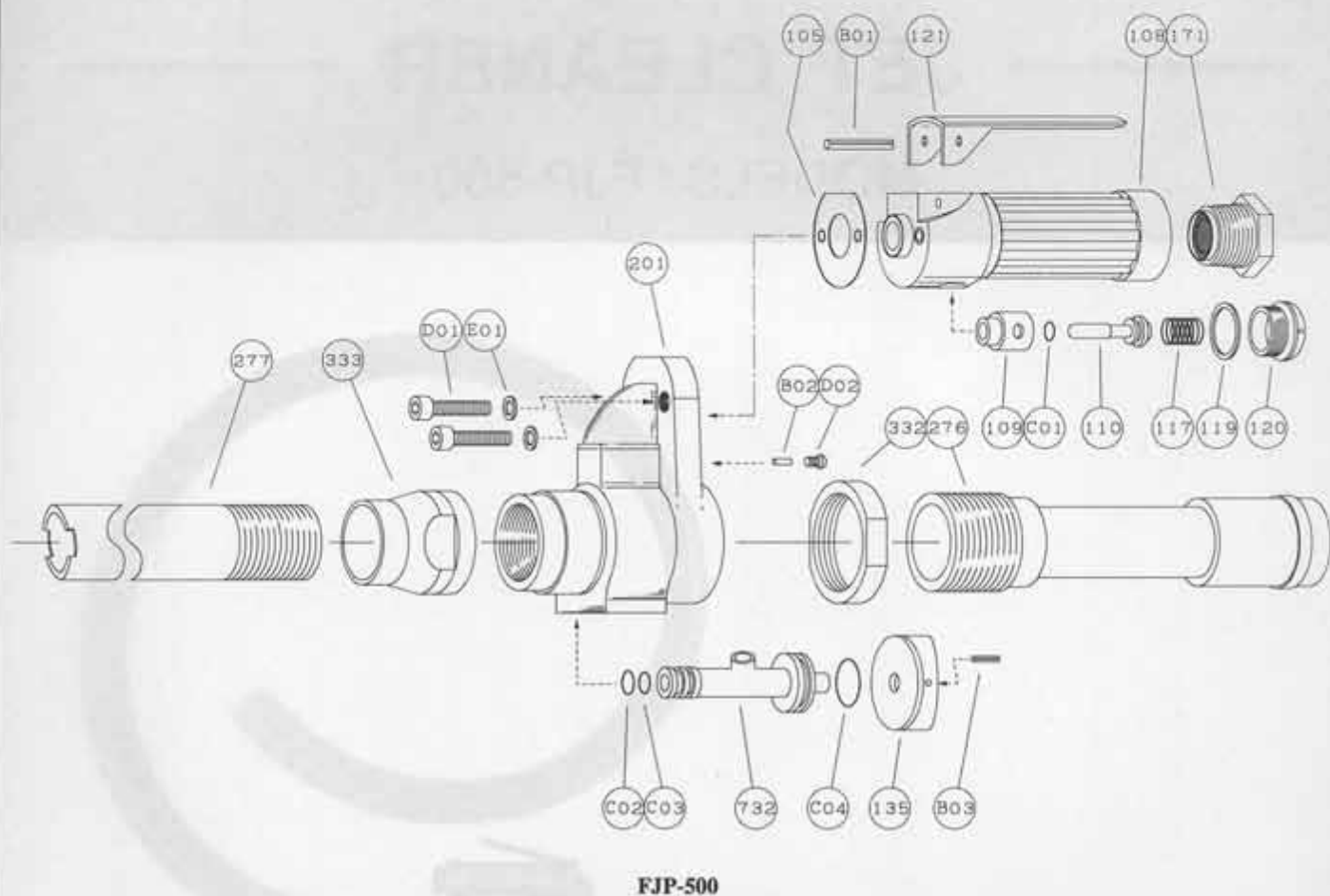
⚠ Refer to instructions and warning for safety use enclosed in each tool box.

FUJI AIR TOOLS CO., LTD.

1-14, Kamiji 2-chome, Higashinari-ku, Osaka, 537 Japan
 Tel : (06) 972-2335
 Fax : (06) 972-2250



EXPLODED VIEW



FJP-500

PARTS LIST

Index No.	Parts No.	Parts Name	Qt.	Index No.	Parts No.	Parts Name	Qt.
FJP-500				276	S-047276-00	Diffuser	1
CP No.				277	S-047277-00	Suction Tube	1
CP No.	S-047003-00	Throttle Valve Body CP		332	S-047332-00	Lock Nut (A)	1
108	S-047108-00	Throttle Valve Body	1	333	S-047333-00	Lock Nut (B)	1
109	G-057109-00	Throttle Valve Bushing	1	732	S-047732-00	Nozzle	1
110	G-057110-00	Throttle Valve	1	B02	NR-2.58	Needle Roller	1
117	G-057117-00	Throttle Valve Spring	1	B03	SP-2.512	Spring Pin	1
119	D-005119-00	T.V.Cover Packing	1	C02	O-P10	"O" Ring	1
120	G-057120-00	Throttle Valve Cover	1	C03	O-P9	"O" Ring	1
121	G-057121-00	Throttle Valve Lever	1	C04	O-P20	"O" Ring	1
171	IB-6N30S0	Inlet Bushing (PT)	1	D01	CS-625	Cap Screw	2
171	IB-6N3NS0	Inlet Bushing (NPT)	1	D02	S-46RS	Screw	1
B01	SP-432	Spring Pin	1	E01	SW-6	Spring Washer	2
C01	O-P8	"O" Ring	1	<input type="checkbox"/> CP No. denotes the assembled parts comprising of more than 1 pc. of parts. The related parts are shown in the thick frame.			
105	G-057105-00	Housing Cover Packing	1	<input type="checkbox"/> Specify parts number and quantity in ordering.			
135	S-047135-00	Reverse Valve Lever	1	<input checked="" type="checkbox"/> Standard Accessory : F-705—5mm Hex. Pin Wrench 1.			
201	S-047201-00	Housing	1				