



USER MANUAL

—PORTABLE CHAMFERING MACHINE—

FBM-1-1,-1F

BOLT & NUT SETTERS
SCREW DRIVERS

ABRASIVE TOOLS

DRILLS · TAPPERS

PERCUSSION TOOLS

AIR MOTORS & OTHERS

OTHER PRODUCTS



FBM-1-1



FBM-1-1F

SPECIFICATIONS

Model	Cutting R Size	Torque	Max. Output	Free Speed	Overall Length		Mass		Air Consumption (Free Speed)		Air Inlet Thread Size	Air Hose Size	
	mm	N·m	kW	min ⁻¹	mm	in	kg	lb	Nm ³ /min	Nft ³ /min	in	mm	in
FBM-1-1(1F)	R3,R2,R1	3.2	0.48	5700	144	5 43/64	3.7(3.8)	8.2(8.4)	1.0	35.3	PTorNPT 3/8	9.5	3/8

The performance figures are at 0.63 MPa (6.3 bar).



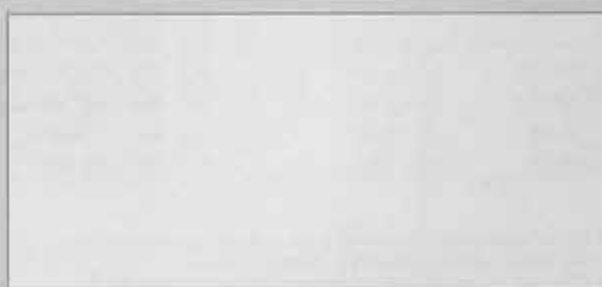
Refer to "The Instructions and Warning for Safety Use" enclosed in each tool box.

FUJI AIR TOOLS CO., LTD.

2-1-14 Kamiji, Higashinari-ku, Osaka 537-0003, Japan

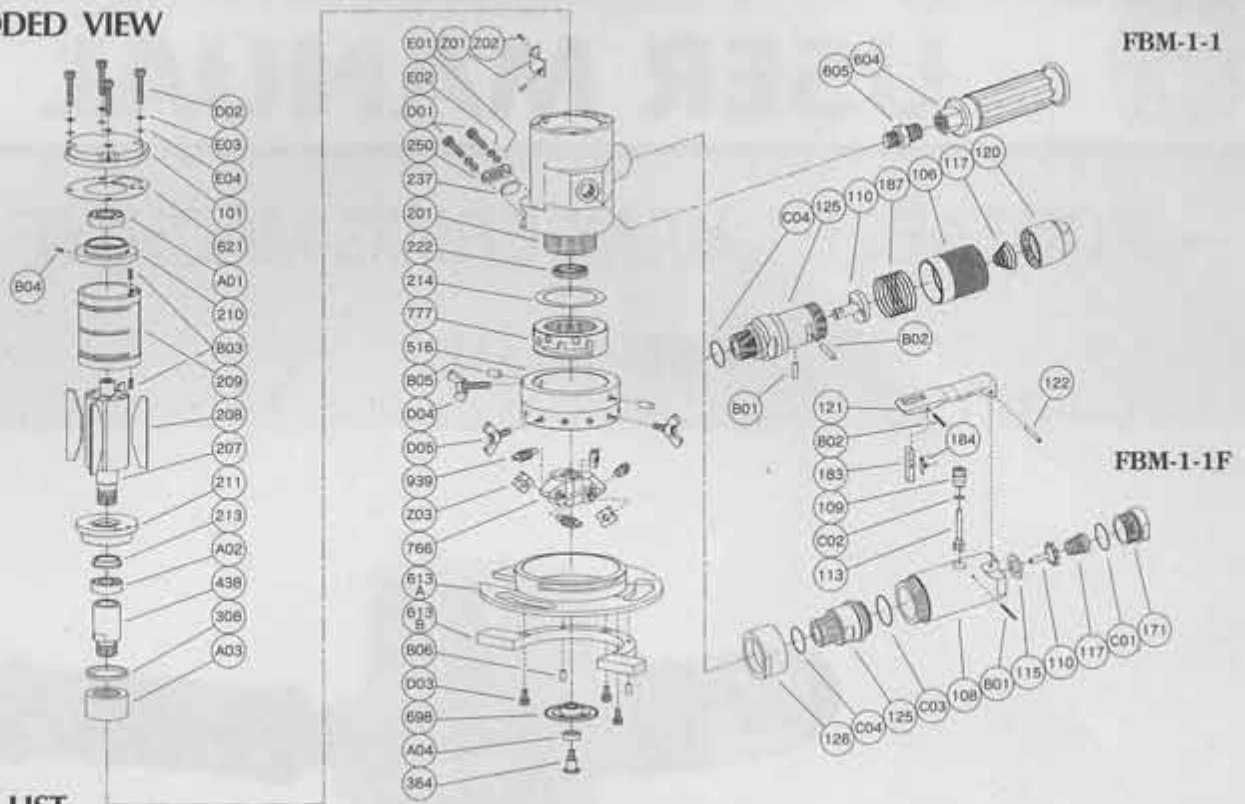
Tel : (06) 6972-2335

Fax : (06) 6972-2250



PARTS LIST MODEL: FBM-1-1, -1F

EXPLODED VIEW



PARTS LIST

Index No.	Parts No.	Parts Name	Qt.	Index No.	Parts No.	Parts Name	Qt.	Index No.	Parts No.	Parts Name	Qt.
FBM-1-1				FBM-1-1, -1F				FBM-1-1F			
CPNo.	S-173003-00	Throttle Valve Body C.P		C03	O-S25	"O" Ring	1	A03	NB-NQ122/16	Needle Bearing	1
106	G-082106-01	Throttle Valve Handle	1	101	S-173101-00	Housing Cover	1	A04	BB-WBC8-14ZZ	Ball Bearing	1
110	G-044110-00	Throttle Valve	1	201	S-173201-00	Housing	1	B05	P-614A(H)	Pin	2
117	G-044117-00	Throttle Valve Spring	1	207	S-173207-00	Rotor	1	B06	P-412	Pin	2
187	A-011187-01	Throttle Valve Handle Spring	1	208	A-133208-00	Rotor Blade	4	C04	O-S22	"O" Ring	1
120	G-044120-A	Throttle Valve Cover (PT)	1	209	A-133209-00	Cylinder	1	D01	CS-46	Cap Screw	2
120	G-044120-N	Throttle Valve Cover (NPT)	1	(B03)	SP-38	Spring Pin	2	D02	CS-415	Cap Screw	4
125	S-173125-00	Throttle Valve Stem	1	210	A-133210-00	Cylinder Upper Plate	1	D03	CS-48	Cap Screw	3
B01	NR-413	Needle Roller	1	(B04)	SP-2.56	Spring Pin	1	D04	WS-520(1)	Wing Bolt	1
B02	NR-420	Needle Roller	1	211	A-133211-00	Cylinder Lower Plate	1	D05	S-173906-00	Wing Bolt	2
FBM-1-1F				213	A-094213-00	Adjusting Collar	1	E01	SW-4	Spring Washer	2
CPNo.	S-173003-01	Throttle Valve Body C.P		214	M-040214-02	Adjusting Washer	1	E02	PW-4	Plain Washer	2
108	Y-020108-00	Throttle Valve Body	1	222	M-216222-00	Felt Ring	1	E03	SW-4	Spring Washer	4
109	Y-020109-00	Throttle Valve Bushing	1	237	S-173237-00	Muffler Pad	3	E04	PW-4	Plain Washer	4
110	Y-020110-00	Throttle Valve	1	250	S-173250-00	Exhaust Cover	1	Z01	NP-0404	Name Plate	1
113	Y-020113-00	Throttle Valve Rod	1	308	S-173308-00	Spacer	1	Z02	NPN-0X3.2	Screw Rivet	2
115	Y-020115-00	Throttle Valve Sheet	1	384	S-173384-00	Guide Holder	1	Z03	X-025-003	R3 Tip	3
117	Y-020117-00	Throttle Valve Spring	1	438	S-173438-00	Spindle	1	OPTIONAL PARTS			
121	G-144121-02	Throttle Valve Lever	1	516	S-173516-00	Cam Case	1	R2 Tip			
122	H-001122-00	Throttle Valve Lever Pin	1	604	A-025604-02	Dead Handle	1	698	S-173698-01	Guide Roller (R2)	1
125	S-173125-01	Throttle Valve Stem	1	605	A-108605-00	Dead Handle Joint	1	Z03	X-027-10	R2 Tip	3
126	Y-020126-00	Throttle Valve Stem Nut	1	613A	S-173613-04	Guide (A)	1	R1 Tip			
171	Y-020171-00	Inlet Joint (PT)	1	613B	S-173613-02	Guide (B)	1	698	S-173698-02	Guide Roller (R1)	1
171	Y-020171-01	Inlet Joint (NPT)	1	621	S-173621-00	Packing (A)	1	Z03	X-027-11	R1 Tip	3
183	G-144183-02	Lock Key	1	698	S-173698-00	Guide Roller (R3)	1	KIT (R3,R2,R1)			
184	G-144184-00	Lock Spring	1	766	S-173766-00	Cutter Holder	1	698	S-173698-00	Guide Roller (R3)	1
B01	SP-220	Spring Pin	1	777	S-173777-00	Collar	1	698	S-173698-01	Guide Roller (R2)	1
B02	SP-218	Spring Pin	1	939	S-173939-00	Bolt	3	698	S-173698-02	Guide Roller (R1)	1
C01	O-S22	"O" Ring	1	A01	BB-6001	Ball Bearing	1	Z03	X-025-003	R3 Tip	3
C02	O-S8	"O" Ring	1	A02	BB-6003	Ball Bearing	1	Z03	X-027-10	R2 Tip	3
								Z03	X-027-11	R1 Tip	3

*The standard chamfering degree is R3. Specify the R size in ordering.

- CP No. denotes the assembled parts comprising of more than 1 pc. of parts. The related parts are shown in the thick frame.
- #209 and 210 are supplied together with parts shown in ().
- Specify parts number and quantity in ordering.

- Standard Accessory : F-209 Pin Wrench 1.
- F-704 4mm Hex.Pin Wrench 1.
- F-100 5.5mm Spanner