



# USER MANUAL

## AIR CLEANER

MODELS : AC-200F



AC-200F

### SPECIFICATIONS

Model	Vacuum Degree	Overall Length		Mass		Max Air Consumption		Air Inlet Thread Size	Air Hose Size	
	kPa	mm	in	kg	lb	m <sup>3</sup> /min	ft <sup>3</sup> /min	in	mm	in
AC-200F	17	145	5 45/64	0.5	1.1	0.6	21.2	PT or NPT 1/4	9.5	3/8

The performance figures are at 0.63 MPa (6.3 bar).



Refer to "The Instructions and Warning for Safety Use" enclosed in each tool box.

## FUJI AIR TOOLS CO., LTD.

2-1-14Kamiji, Higashinariku, Osaka 537-0003, Japan

Tel : (06) 6972-2335

Fax : (06) 6972-2250



BOLT & NUT SETTERS  
SCREW DRIVERS

ABRASIVE TOOLS

DRILLS · TAPPERS

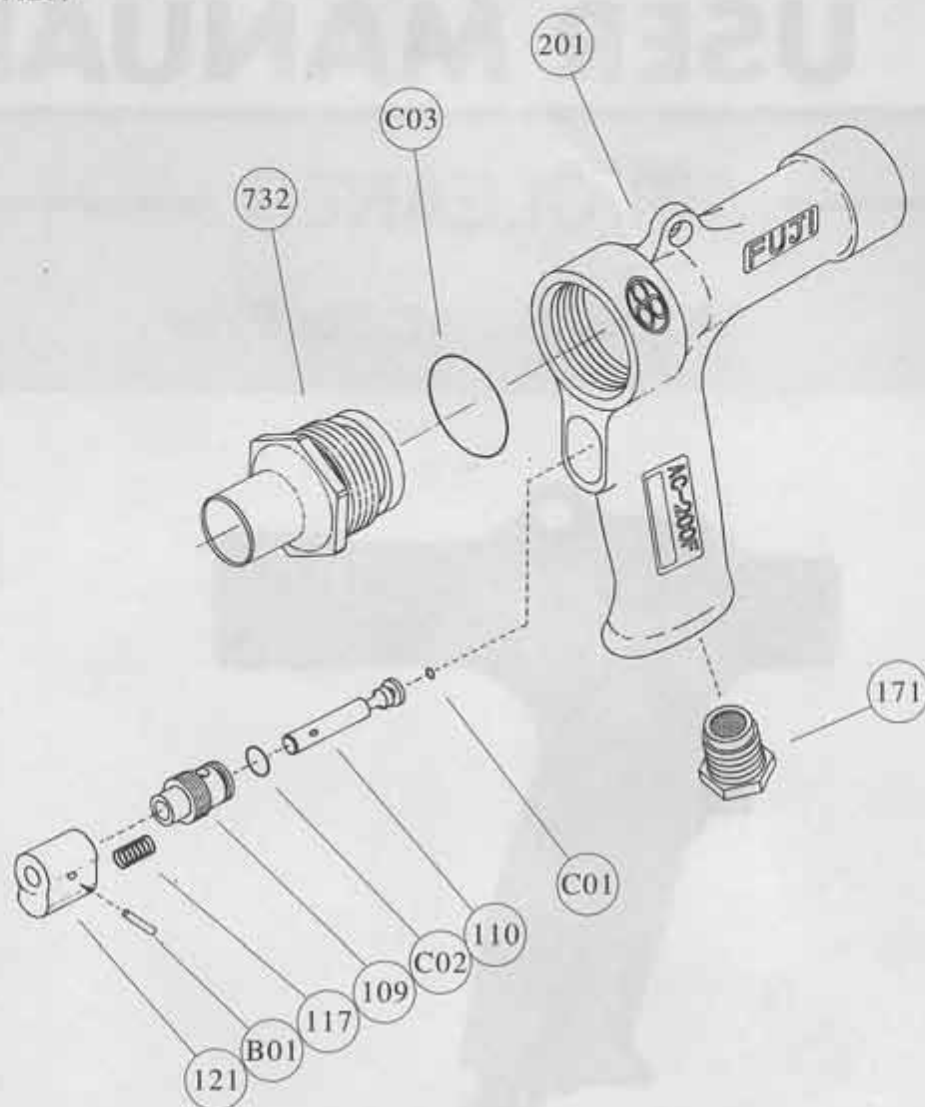
PERCUSSION TOOLS

AIR MOTORS & OTHERS

OTHER PRODUCTS

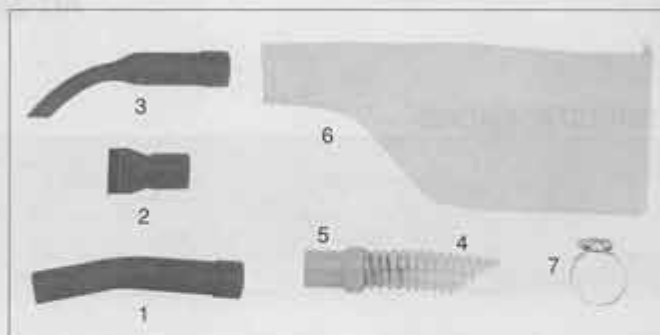


## EXPLODED VIEW



## STANDARD ACCESSORIES

Index No.	AC No.	Name
1	ACB-1F	Main Nozzle
2	ACB-2F	Fan Shape Nozzle
3	ACB-3F	Small-Size End Nozzle
4	ACB-4F	Flexible Hose
5	ACB-5F	Rubber Joint
6	ACB-6F	Dust Bag
7	ACB-7F	Hose Band



## PARTS LIST

Index No.	Parts No.	Parts Name	Qt.	Index No.	Parts No.	Parts Name	Qt.
109	W-025109-00	Throttle Valve Bushing	1	201	S-056201-00	Housing	1
110	S-056110-00	Throttle Valve	1	732	S-056732-00	Nozzle	1
117	W-025117-00	Throttle Valve Spring	1	B01	SP-212	Spring Pin	1
121	W-025121-00	Throttle Valve Lever	1	C01	O-P3	"O" Ring	1
171	IB-3020S0	Inlet Bushing<PT>	1	C02	O-S9	"O" Ring	1
171	IB-302NS0	Inlet Bushing<NPT>	1	C03	O-S32	"O" Ring	1

Specify parts number and quantity in ordering.