



USER MANUAL

SAND RAMMERS

MODELS : FR-25L, -25L-1, -1F, -2F

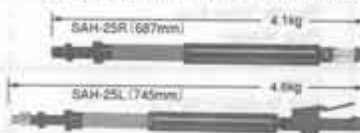


FR-25L, -25L-1



FR-25L-1F, -2F

SHOCK-ABSORBING HANDLES (OPTION) FOR FR-25L



This Shock-Absorbing Handle is useful for preventing troubles caused through vibration.

SPECIFICATIONS

Model		Blows Per Second (about)	Piston Diameter		Stroke (about)		Butt Diameter		Overall Length (about)		Mass (about)		Air Consumption Under Load (about)		Air Inlet Thread Size	Air Hose Size	
Standard	Non-Rotary	Hz	mm	in	mm	in	mm	in	mm	in	kg	lb	Nm ³ /min	NI ³ /min	PT or NPT	mm	in
FR-25L	FR-25L-1	13	25.4	1	83	3 ¹⁷ / ₆₄	67	2 ⁴¹ / ₆₄	1,043	41 ¹¹ / ₁₆	6	13.2	0.7	24.7	1/2"	12.7	1/2
FR-25L-2F	FR-25L-1F	13	25.4	1	83	3 ¹⁷ / ₆₄	67	2 ⁴¹ / ₆₄	1,005	39 ⁹ / ₁₆	6	13.2	0.7	24.7	1/2"	12.7	1/2

The performance figures are at 0.63 MPa (6.3 bar).



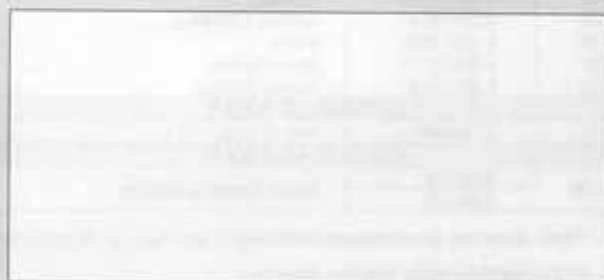
Refer to "The Instructions and Warning for Safety Use" enclosed in each tool box.

FUJI AIR TOOLS CO., LTD.

1-14, Kamiji 2-chome, Higashinari-ku, Osaka, 537-0003 Japan

Tel : (06) 972-2335

Fax : (06) 972-2250



BOLE & NUT SETTERS
SCREW DRIVERS

ABRASIVE TOOLS

DRILLS · TAPPERS

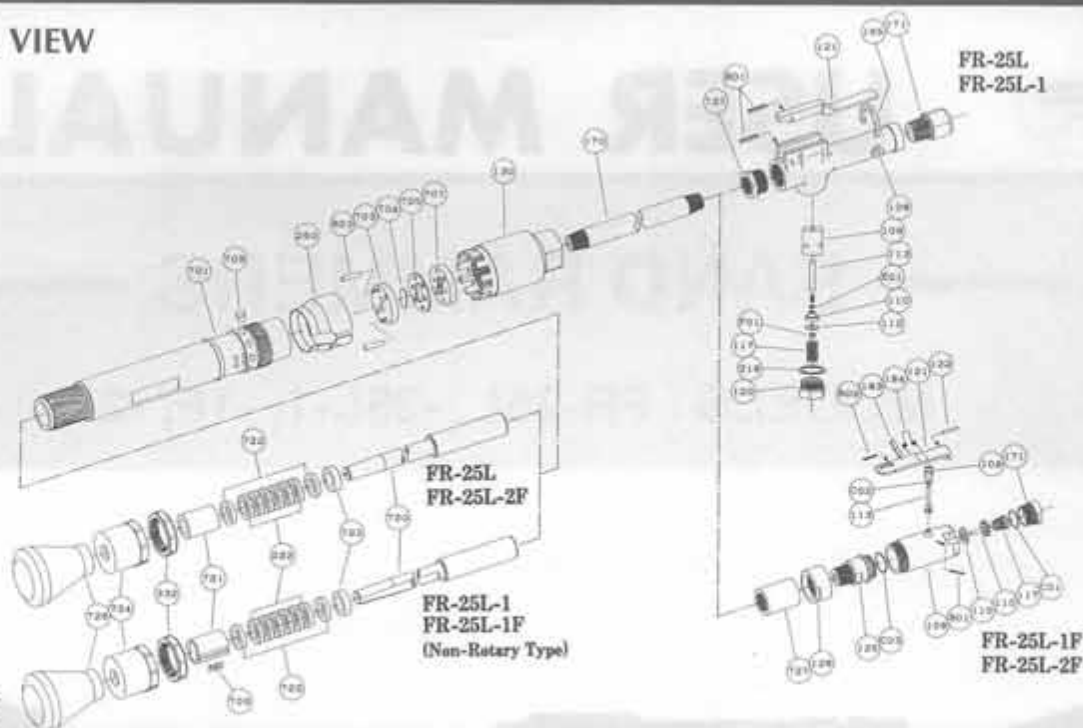
PERCUSSION TOOLS

AIR MOTORS & OTHERS

OTHER PRODUCTS



EXPLODED VIEW



PARTS LIST

Index No.	Parts No.	Parts Name	Qt.	Index No.	Parts No.	Parts Name	Qt.
FR-25L, -25L-1				FR-25L-1F, -2F			
CP No.	R-006002-00	Handle CP		CP No.	R-006002-01	Handle CP	
170	R-006170-00	Pipe	1	170	R-006170-00	Pipe	1
727	R-006727-00	Socket Joint	1	727	H-021727-00	Socket Joint	1
CP No.	R-006003-00	Throttle Valve Body CP		CP No.	Y-020003-00	Throttle Valve Body CP	
108	R-006003-50	Throttle Valve Body	1	108	Y-020108-00	Throttle Valve Body	1
(109)	R-006109-00	Throttle Valve Bushing	1	109	Y-020109-00	Throttle Valve Bushing	1
117	R-006117-00	Throttle Valve Spring	1	110	Y-020110-00	Throttle Valve	1
120	R-006120-00	Throttle Valve Cover	1	113	Y-020113-00	Throttle Valve Rod	1
121	R-006121-00	Throttle Valve Lever	1	115	Y-020115-00	Throttle Valve Sheet	1
165	R-006165-00	Stop Ring	1	117	Y-020117-00	Throttle Valve Spring	1
218	G-044218-00	Packing	1	121	G-144121-02	Throttle Valve Lever	1
B01	SP-422	Spring Pin	2	122	H-001122-00	Throttle Valve Lever Pin	1
CP No.	R-006008-00	Throttle Valve Rod CP		125	Y-020125-00	Throttle Valve Stem	1
110	D-005110-01	Throttle Valve	1	126	Y-020126-00	Throttle Valve Stem Nut	1
112	D-005112-00	Throttle Valve Collar	1	171	Y-020171-00	Inlet Joint < PT >	1
113	R-006113-00	Throttle Valve Rod	1	171	Y-020171-01	Inlet Joint < NPT >	1
E01	PW-4	Plain Washer	1	183	G-144183-02	Lock Key	1
F01	N-4	Nut	1	184	G-144184-00	Lock Spring	1
130	R-006130-00	Cap	1	B01	SP-220	Spring Pin	1
171	IB-404N00	Inlet Bushing < NPT >	1	B02	SP-218	Spring Pin	1
222	R-006222-00	Felt Ring	6	C01	O-S22	"O" Ring	1
250	R-006250-00	Exhaust Cover	1	C02	O-S8	"O" Ring	1
332	R-006332-00	Lock Nut	1	C03	O-S25	"O" Ring	1
701	R-006701-00	Cylinder	1	130	R-006130-00	Cap	1
703	R-006703-00	Valve Sheet	1	222	R-006222-00	Felt Ring	6
704	R-006704-00	Valve	1	250	R-006250-00	Exhaust Cover	1
705	R-006705-00	Valve Case	1	332	R-006332-00	Lock Nut	1
707	R-006707-00	Valve Cover	1	701	R-006701-00	Cylinder	1
708	R-006708-A	Locking Clutch	1	703	R-006703-00	Valve Sheet	1
720	R-006720-00	Piston	1	704	R-006704-00	Valve	1
721	R-006721-00	Piston Bushing	1	705	R-006705-00	Valve Case	1
722	R-006722-00	Leather Packing	2	707	R-006707-00	Valve Cover	1
723	R-006723-00	Packing Sheet	1	708	R-006708-A	Locking Clutch	1
724	R-006724-00	Grand	1	720	R-006720-00	Piston	1
726	R-3	Rubber Butt	1	721	R-006721-00	Piston Bushing	1
B03	P-523	Pin	2	722	R-006722-00	Leather Packing	2
FR-25L-1				FR-25L-1F			
701	R-006701-02	Cylinder	1	701	R-006701-02	Cylinder	1
709	R-005709-D	Locking Clutch Key	1	709	R-005709-D	Locking Clutch Key	1
720	R-005720-D	Piston	1	720	R-005720-D	Piston	1
721	R-005721-D	Piston Bushing	1	721	R-005721-D	Piston Bushing	1
722	R-005722-D	Leather Packing	2	722	R-005722-D	Leather Packing	2
OPTIONAL PART				OPTIONAL PART			
171	IB-404X00	Inlet Bushing < PT >	1				
OPTIONAL PART				OPTIONAL PART			
FR-25L	SAH-25R	Shock-Absorbing Handles					
	SAH-25L						

□ CP No. denotes the assembled parts comprising of more than 1 pc. of parts. The related parts are shown in the thick frame.

□ #108 is supplied together with parts shown in ().

□ Specify parts number and quantity in ordering.