

FUJI

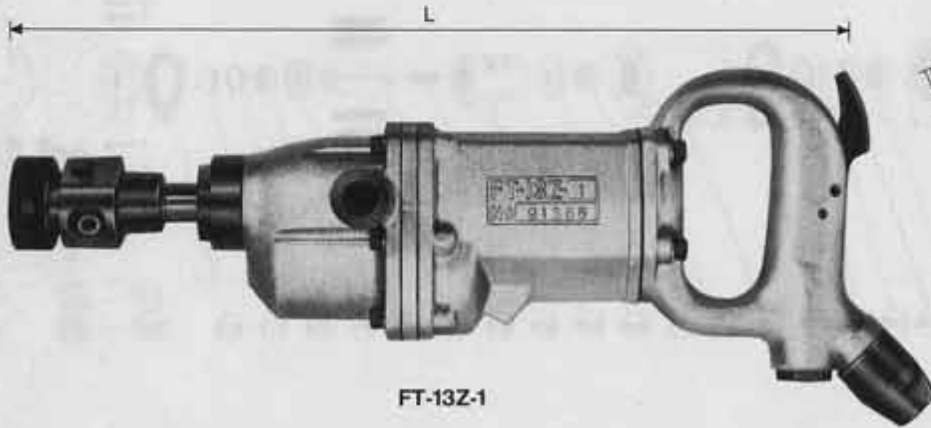


AIR TAPPERS

Fuji FT-13Z-1 and FT-13Z-1C Air Tappers are compact but powerful. Two-stage motor with displacement control, slow start and smooth acceleration allow easy to full speed and also help protect user from being damaged. They are push-and-pull reverse and 1/2 inch. They make complete work you can finish with tapping. After you pull them, they make disengagement. They are used for tapping holes in various materials such as cast iron, steel, aluminum, stainless steel, copper and brass, bronze, etc. They may be used for blind tapping when being equipped on a magnetic drill press. In blind tapping, special bits are necessary. FT-13Z-1 is the outside trigger type and FT-13Z-1C is the inside trigger type.

MODELS FT-13Z-1 AND -1C

CAPACITY (TAPPING) : 13MM(1/2")



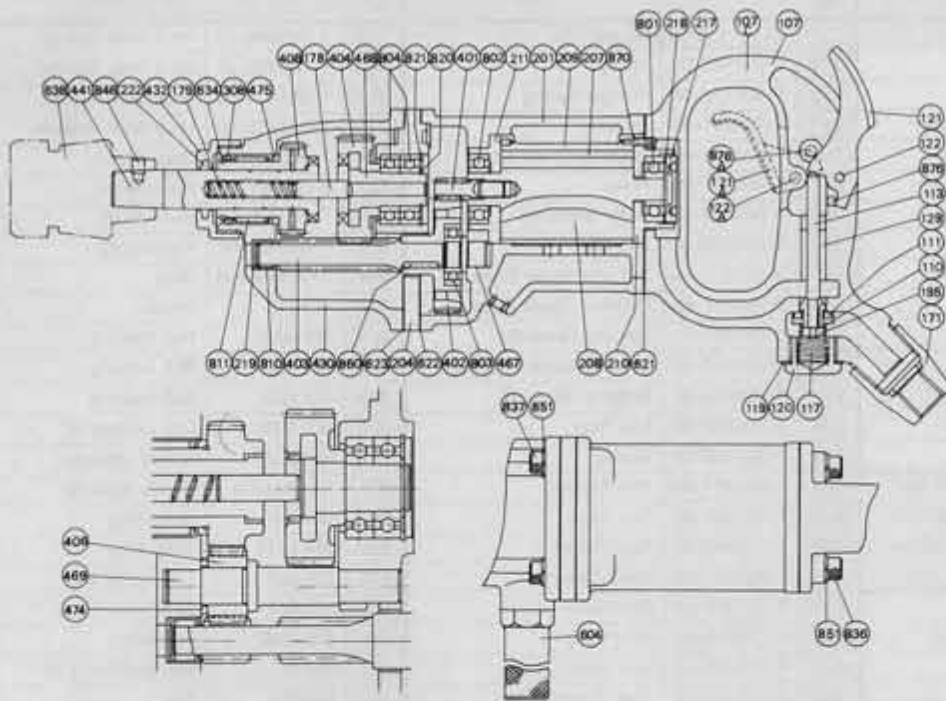
FT-13Z-1

PATENTED



FT-13Z-1C

SECTIONAL VIEW



LUBRICATION

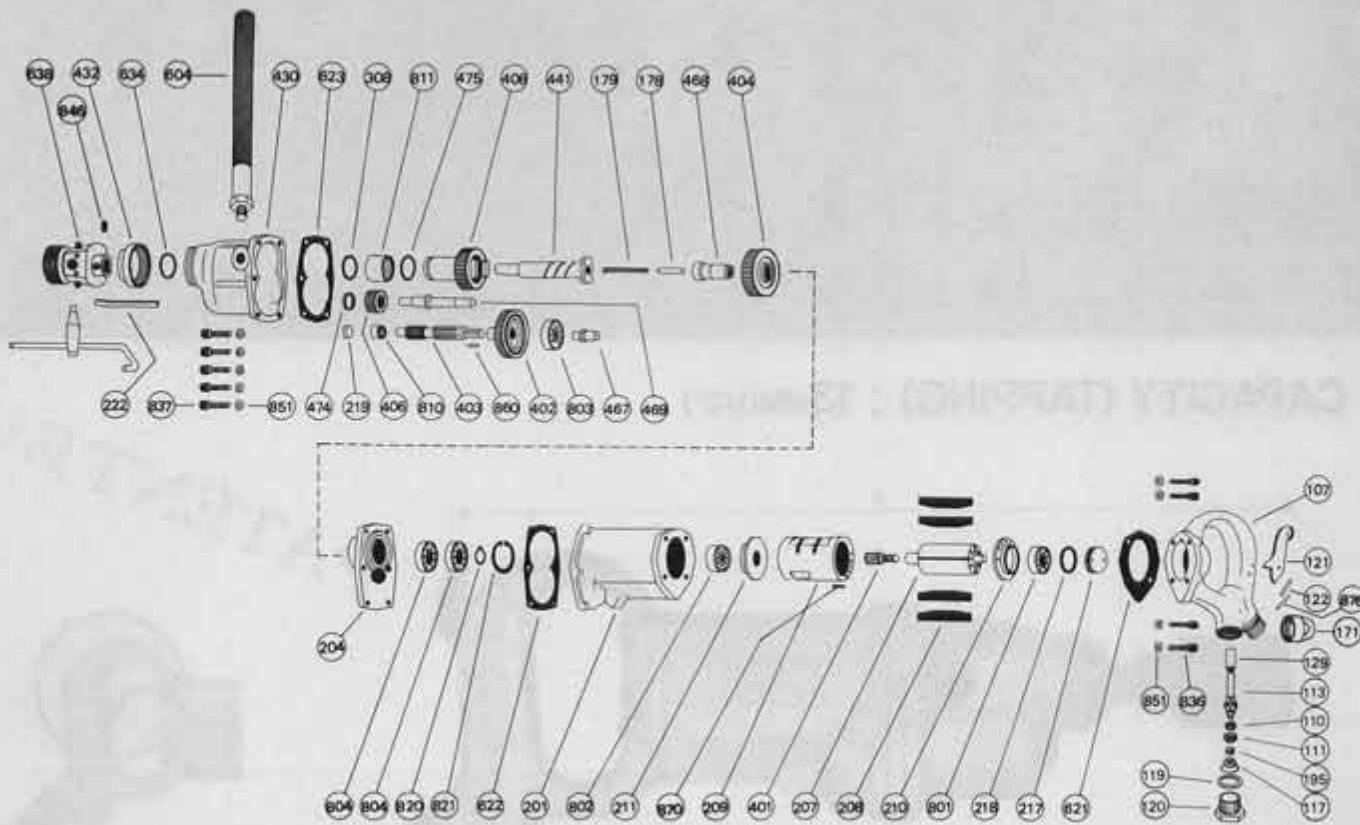
After each two or three hours of operation, squirt a few drops of oil into the air inlet unless an air line lubricator is used.

SPECIFICATIONS

Model	Tapping Capacity (Steel)		Free Speed (R.P.M.)		Type and Size of Spindle	Chuck Capacity	Overall Length (L)		Weight	Air Inlet Thread Size	Air Hose Size	
	mm	in	R	L	Taper #	mm	mm	in	kg	P.T.	mm	in
FT-13Z-1	13	1/2	400	480	J.T. #6	13	384	15 1/8	4	3/8	13	1/2
FT-13Z-1C	13	1/2	400	480	J.T. #6	13	384	15 1/8	4	3/8	13	1/2

- The recommended air pressure is 6 kg/cm² (85 lb/in²).
- Standard equipments: Hose nipple (PT or NPT).
- Specifications, standard equipments, designs and parts in this leaflet are subject to change without notice.
- CAUTION: Handle with care to avoid dropping and bumping.

EXPLODED VIEW FOR FT-13Z-1



PART LIST

Index No.	Part No.	Part Name	Index No.	Part No.	Part Name	Index No.	Part No.	Part Name
HANDLE PART (FT-13Z-1)			FT-13Z-1 and -1C			468	T-003468-00	No.2 Gear Spindle
107	D-005107-01	Handle	178	T-002178-00	Plunger	469	T-003469-01	No.3 Gear Spindle
110	W-080110-01	Throttle Valve	179	T-002179-00	Plunger Spring	474	T-003474-00	No.3 Gear Washer
111	W-080111-00	Throttle Valve Washer	201	T-003201-00	Housing	475	T-003475-00	No.4 Gear Washer
113	W-080113-01	Throttle Valve Rod	204	T-003204-00	Housing Lower Cover	604	T-003604-00	Dear Handle
117	D-005117-00	Throttle Valve Spring	207	D-005207-00	Rotor	821	D-005621-02	Packing (A)
119	W-080119-00	T.V. Cover Packing	208	T-003208-00	Rotor Blade (4)	822	T-003622-00	Packing (B)
120	D-005120-00	Throttle Valve Cover	209	G-022209-00	Cylinder	823	T-003623-00	Packing (C)
121	W-014121-01	Throttle Valve Lever	210	G-022210-00	Cylinder Upper Plate	834	T-003634-00	Ring
122	NR-419	Needle Roller	211	D-005211-00	Cylinder Lower Plate	638	TCK-13	Chuck
129	H-006129-00	T.V. Rod Bushing	217	G-044217-A	Bearing Cover (A)	801	BB-6200	Ball Bearing
171	D-005171-00	Inlet Joint (PT)	218	G-044218-00	Bearing Cover Packing	802	BB-6002	Ball Bearing
171	D-005171-01	Inlet Joint (NPT)	219	D-005219-00	Bearing Cover (B)	803	BB-6001	Ball Bearing
195	W-080195-00	Sub Throttle Valve	222	T-003222-00	Felt Ring	804	BB-6002	Ball Bearing (2)
876	NR-422	Needle Roller	308	T-003308-00	Spacer	810	NB-SC66	Needle Bearing
The following parts are used only on FT-13Z-1C inside trigger type. The other parts for FT-13Z-1 whose index Nos. are not shown below are commonly used on FT-13Z-1C.			401	T-002401-00	No.1 Pinion	811	NB-SC1612	Needle Bearing
			402	T-003402-00	No.1 Gear	820	SR-S15	Snap Ring
			403	T-003403-00	No.2 Pinion	821	SR-SA32	Snap Ring
			404	T-003404-00	No.2 Gear	836	CS-625	Cap Screw (4)
107C	D-005107-02	Handle	406	T-003406-00	No.3 Gear	837	CS-625	Cap Screw (5)
121A	W-015121-A	Throttle Valve Lever	408	T-003408-00	No.4 Gear	846	SS-610D	Set Screw
122A	NR-419	Needle Roller	430	T-003430-00	No.1 Gear Case	851	SW-6	Spring Washer (9)
876A	NR-422	Needle Roller	432	T-003432-00	Gear Case Cover	860	K-3316	Key
All of the above parts can be used interchangeable on the all the models.			441	T-003441-00	Spindle	870	SP-314	Spring Washer
			467	T-003467-00	No.1 Gear Spindle			

FUJI AIR TOOLS CO., LTD.

1-14, Kamiji 2-chome, Higashinari-ku, Osaka, 537 Japan.
 Cable Address: "FUJIAIRTOOLS" OSAKA
 Telex: 5298510 FUJIAT J
 Telefax: (06) 972-2250
 Telephone: (06) 972-2335 (Export Dept)
 (06) 972-2331 (Key Number)