



# USER MANUAL

## DRILLS

MODELS : FRD-8PX-1, -2, -3



FRD-8PX-1



FRD-8PX-2



FRD-8PX-3

### SPECIFICATIONS

Model	Drilling Capacity		Stall Torque			Max. Output	Rotational Frequency	Spindle Type	Distance from Center to Side		Overall Length		Mass		Max. Air Consumption	
	mm	in	N·m	kgf·m	ft·lb	kW	min <sup>-1</sup>	in	mm	in	mm	in	kg	lb	m <sup>3</sup> /min	ft <sup>3</sup> /min
FRD-8PX-1	8	5/16	7.5	75	5.5	0.45	2,600	3/8-24	25.0	53/64	187	7 23/64	1.7	3.7	0.5	17.7
FRD-8PX-2	10	7/16	12.0	122	8.8	0.44	1,300	3/8-24	26.5	1 3/64	211	8 5/16	2.0	4.4	0.5	17.7
FRD-8PX-3	13	1/2	20.0	204	14.6	0.40	900	1/2-20	25.5	1	240	9 29/64	2.6	5.7	0.5	17.7

\*Air Inlet Thread:PT or NPT 1/4"

\*Air Hose Size: 9.5mm (3/8")

The performance figures are at 0.63MPa (6.3bar).



Refer to "The Instructions and Warning for Safety Use" enclosed in each tool box.

## FUJI AIR TOOLS CO., LTD.

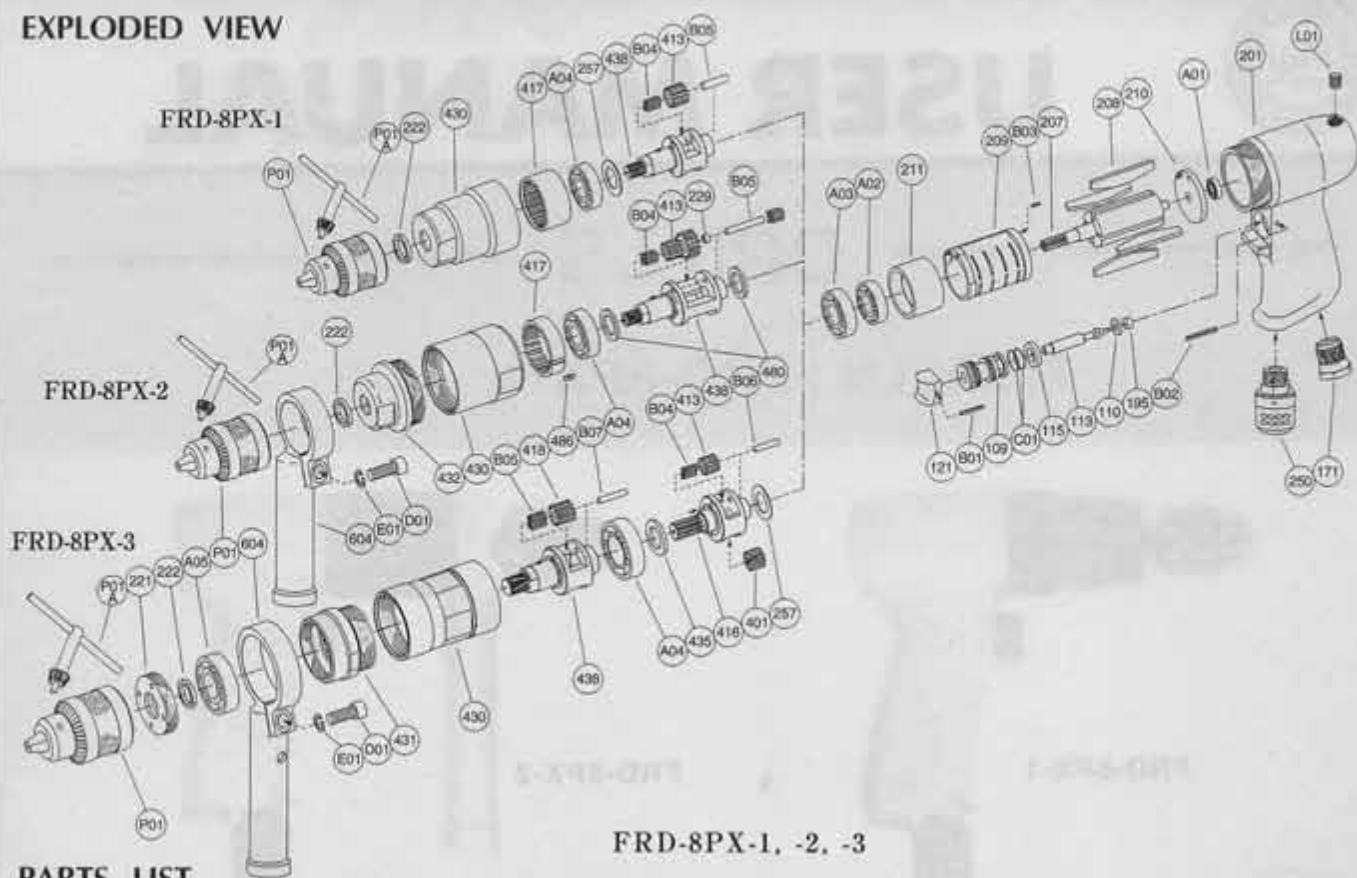
2-1-14 Kamiji, Higashinariku, Osaka 537-0003, Japan

Tel : (06) 6972-2335

Fax : (06) 6972-2250

# PARTS LIST MODEL: FRD-8PX-1, -2, -3

## EXPLODED VIEW



FRD-8PX-1, -2, -3

## PARTS LIST

Index No.	Parts No.	Parts Name	Qt.	Index No.	Parts No.	Parts Name	Qt.	Index No.	Parts No.	Parts Name	Qt.
<b>FRD-8PX-1, -2, -3</b>				<b>FRD-8PX-1</b>				<b>FRD-8PX-3</b>			
Asy No.	D-080006-00	Housing Ass'y		Asy No.	D-003041-00	No.1 Planet Gear Ass'y		Asy No.	D-045041-00	No.1 Planet Gear Ass'y	
109	W-125109-00	Throttle Valve Bushing	1	413	D-003413-00	No.1 Planet Gear	2	413	D-045413-00	No.1 Planet Gear	2
115	W-125115-00	Throttle Valve Sheet	1	(B04)	NR-111.5	Needle Roller	36	(B04)	NR-110.5	Needle Roller	30
121	W-125121-00	Throttle Valve Lever	1	B05	NR-520	Needle Roller	2	B06	NR-419	Needle Roller	2
171	W-017171-02	Inlet Joint (PT)	1	207	D-003207-00	Rotor	1	Asy No.	D-045041-01	No.2 Planet Gear Ass'y	
171	W-017171-01	Inlet Joint (NPT)	1	222	D-020222-00	Felt Ring	1	418	D-045418-00	No.2 Planet Gear	2
201	D-080201-00	Housing	1	257	D-045257-00	Washer	1	(B05)	NR-112.5	Needle Roller	30
B01	SP-2518	Spring Pin	1	417	D-080417-00	No.1 Internal Gear	1	B07	NR-422	Needle Roller	2
B02	SP-324	Spring Pin	1	430	D-080430-00	No.1 Gear Case	1	207	D-004207-00	Rotor	1
C01	O-S15	"O" Ring	2	438	D-003438-A	Spindle	1	221	D-045221-00	Spindle Bearing Cover	1
L01	PL-1/8	Plug	1	A04	BB-6002	Ball Bearing	1	222	D-045222-00	Felt Ring	1
Asy No.	D-080008-00	Throttle Valve Rod Ass'y		P01	DCK-8	Drill Chuck	1	257	D-045257-00	Washer	1
110	W-125110-00	Throttle Valve	1	P01A	DCK-8H	Drill Chuck Handle	1	401	D-045401-00	No.1 Pinion	1
113	D-080113-00	Throttle Valve Rod	1	<b>FRD-8PX-2</b>				416	D-045416-00	No.1 Planet Gear Frame	1
195	W-017195-00	Sub Throttle Valve	1	207	D-004207-00	Rotor	1	430	D-082430-00	No.1 Gear Case	1
208	G-042208-00	Rotor Blade	4	222	D-020222-00	Felt Ring	1	431	D-045431-00	No.2 Gear Case	1
209	G-042209-00	Cylinder	1	229	D-004229-00	Bearing Spacer	2	435	D-045435-00	Thrust Washer	1
(B03)	SP-26	Spring Pin	1	413	D-004413-00	No.1 Planet Gear	2	438	D-045438-00	Spindle	1
210	D-020210-00	Cylinder Upper Plate	1	(B04)	NR-19.5	Needle Roller	60	604	D-082604-00	Dead Handle	1
211	D-080211-00	Cylinder Lower Plate	1	417	D-004417-00	No.1 Internal Gear	1	(D01)	CS-825	Cap Screw	1
250	W-181250-01	Exhaust Cover	1	430	D-081430-00	No.1 Gear Case	1	(E01)	SW-8	Spring Washer	1
A01	BB-626	Ball Bearing	1	432	D-081432-00	Gear Case Cover	1	A04	BB-SC0409	Ball Bearing	1
A02	BB-6200	Ball Bearing	1	438	D-004438-A	Spindle	1	A05	BB-EE6	Ball Bearing	1
A03	BB-6002	Ball Bearing	1	480	D-004480-00	Thrust Washer (B)	2	P01	DCK-13	Drill Chuck	1
				486	D-004486-00	Internal Gear Knock	2	P01A	DCK-13H	Drill Chuck Handle	1
				604	D-081604-00	Dead Handle	1				
				(D01)	CS-825	Cap Screw	1				
				(E01)	SW-8	Spring Washer	1				

□ Ass'y No. denotes the assembled parts comprising of more than 1 pc. of parts.

■ Standard Accessories

The related parts are shown in the thick frame.

□ #209, 413, 418 and 604 are supplied together with parts shown in ( )

□ Specify parts number and quantity in ordering.

FRD-8PX-1: F-104 ..... Open-End Wrench 12 Hex.

FRD-8PX-2: F-706 ..... Hex Pin Wrench 6 Hex.

FRD-8PX-3: F-105 ..... Open-End Wrench 14 Hex.