



USER MANUAL

DRILLS (REAR EXHAUST TYPE)

MODELS : FRD-6PX-2, -3



FRD-6PX-2, -3

SPECIFICATIONS

Model	Drilling Capacity (Guidance)		Stall Torque			Rotational Frequency	Spindle Thread Size	Chuck Capacity	Distance from Center to Side			Overall Length		Mass		Max Air Consumption		Air Inlet Thread Size	Air Hose Size
	mm	in	N·m	kgf·m	ft·lb				mm	mm	mm	in	mm	in	kg	lb	m ³ /min		
FRD-6PX-2	5	3/16	2.5	0.25	1.8	4,300	3/8-24 UNF	6.5	21	53/64	188	7 13/32	1.1	2.4	0.55	19.4	PTorNPT 1/4	9.5(3/8")	
FRD-6PX-3	8	5/16	3.0	0.30	2.1	2,800	3/8-24 UNF	8.0	21	53/64	190	7 31/64	1.1	2.4	0.55	19.4	PTorNPT 1/4	9.5(3/8")	

The performance figures are at 0.63 MPa(6.3bar).

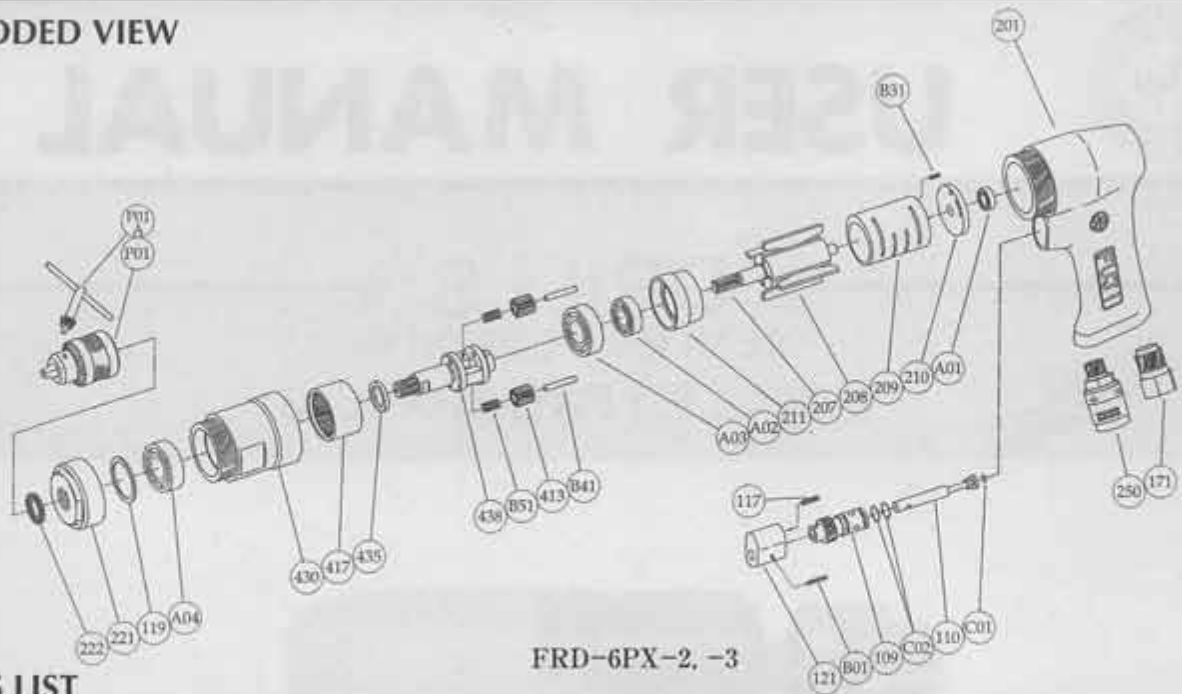


Refer to "The Instructions and Warning for Safety Use" enclosed in each tool box.

FUJI AIR TOOLS CO., LTD.

2-1-14 Kamiji, Higashinari-ku, Osaka, 537-0003 Japan
Tel : (06) 6972-2335
Fax : (06) 6972-2250

EXPLODED VIEW



FRD-6PX-2, -3

PARTS LIST

Index No.	Parts No.	Parts Name	Qt.	Index No.	Parts No.	Parts Name	Qt.
FRD-6PX-2				FRD-6PX-3			
Ass'y No.	D-072006-00	Housing Ass'y (PT)		Ass'y No.	D-072006-00	Housing Ass'y (PT)	
Ass'y No.	D-072006-02	Housing Ass'y (NPT)		Ass'y No.	D-072006-02	Housing Ass'y (NPT)	
109	D-072109-00	Throttle Valve Bushing	1	109	D-072109-00	Throttle Valve Bushing	1
110	D-072110-00	Throttle Valve	1	110	D-072110-00	Throttle Valve	1
117	W-025117-00	Throttle Valve Spring	1	117	W-025117-00	Throttle Valve Spring	1
121	W-025121-00	Throttle Valve Lever	1	121	W-025121-00	Throttle Valve Lever	1
171	W-025171-00	Inlet Joint < PT >	1	171	W-025171-00	Inlet Joint <PT>	1
	W-025171-01	Inlet Joint < NPT >	1		W-025171-01	Inlet Joint <NPT>	1
201	D-072201-00	Housing	1	201	D-072201-00	Housing	1
B01	SP-212	Spring Pin	1	B01	SP-212	Spring Pin	1
C01	O-P3	"O" Ring	1	C01	O-P3	"O" Ring	1
C02	O-S9	"O" Ring	2	C02	O-S9	"O" Ring	2
119	G-011119-00	T.V Cover Packing	1	119	G-011119-00	T.V.Cover Packing	2
207	S-002207-00	Rotor	1	207	D-001207-00	Rotor	1
208	W-100208-00	Rotor Blade	4	208	W-100208-00	Rotor Blade	1
209	D-001209-00	Cylinder	1	209	D-001209-00	Cylinder	4
(B31)	SP-26	Spring Pin	1	(B31)	SP-26	Spring Pin	1
210	D-002210-02	Cylinder Upper Plate	1	210	D-002210-02	Cylinder Upper Plate	1
211	D-001211-00	Cylinder Lower Plate	1	211	D-001211-00	Cylinder Lower Plate	1
221	D-014221-00	Spindle Bearing Cover	1	221	D-014221-00	Spindle Bearing Cover	1
222	D-014222-00	Felt Ring	1	222	D-014222-00	Felt Ring	1
250	W-183250-03	Exhaust Cover	1	250	W-183250-03	Exhaust Cover	1
413	D-052413-00	No.1 Planet Gear	2	413	D-001413-00	No.1 Planet Gear	1
417	A-129417-00	No.1 Internal Gear	1	417	D-001417-00	No.1 Internal Gear	1
430	D-072430-00	No.1 Gear Case	1	430	D-072430-00	No.1 Gear Case	1
435	D-001435-00	Thrust Washer	1	435	D-001435-00	Thrust Washer	1
438	D-052438-02	Spindle	1	438	D-001438-A	Spindle	1
A01	BB-626	Ball Bearing	1	A01	BB-626	Ball Bearing	1
A02	BB-608	Ball Bearing	1	A02	BB-608	Ball Bearing	1
A03	BB-EE4	Ball Bearing	1	A03	BB-EE4	Ball Bearing	1
A04	BB-EE4	Ball Bearing	1	A04	BB-EE4	Ball Bearing	1
B41	NR-319.8	Needle Roller	2	B41	NR-419	Needle Roller	2
B51	NR-110.5	Needle Roller	24	B51	NR-110.5	Needle Roller	30
P01	DCK-6.5	Drill Chuck	1	P01	DCK-8	Drill Chuck	1
(P01A)	DCK-6.5H	Drill Chuck Handle	1	(P01A)	DCK-6.5H	Drill Chuck Handle	1

□ Ass'y No. denotes no. of the assembled parts comprising of more than 1pc. of parts. The related parts are shown in the thick frame.

□ Index Nos. 209 and P01 are supplied together with parts shown in ().

□ Specify parts number and quantity in ordering.

■ Standard Accessories: F-103 --- 10mm Open-End Wrench 1.