



USER MANUAL

DRILLS

MODELS : FRD-5S-1, -1F, -2T, -2TF



FRD-5S-1
FRD-5S-2T



FRD-5S-1F
FRD-5S-2TF

SPECIFICATIONS

Model	Drilling Capacity		Stall Torque			Rotational Frequency	Type and Size of Spindle		Chuck Capacity (mm)		Distance from Center to Side		Overall Length		Mass		Max. Air Consumption	
	mm	in	N·m	kgf·m	ft·lb	min ⁻¹	Thread	Taper	Thread	Taper	mm	in	mm	in	kg	lb	m ³ /min	ft ³ /min
FRD-5S-1	5	3/16	2.0	0.20	1.4	3,200	3/8-24	—	6.5	—	18.5	47/64	188	7 ¹³ / ₃₂	0.6	1.3	0.60	21.2
FRD-5S-1F	5	3/16	2.0	0.20	1.4	3,200	3/8-24	—	6.5	—	18.5	47/64	188	7 ¹³ / ₃₂	0.6	1.3	0.60	21.2
FRD-5S-2T	2	5/64	0.3	0.03	0.2	24,000	—	J.T.#D	—	5.0	18.5	47/64	174	6 ⁵⁵ / ₆₄	0.5	1.1	0.60	21.2
FRD-5S-2TF	2	5/64	0.3	0.03	0.2	24,000	—	J.T.#D	—	5.0	18.5	47/64	174	6 ⁵⁵ / ₆₄	0.5	1.1	0.60	21.2

Air Inlet Thread Size : PT or NPT 1/4". Air Hose Size : 6.3mm (1/4").

The performance figures are at 0.63MPa (6.3bar).



Refer to instructions and warning for safety use enclosed in each tool box.

FUJI AIR TOOLS CO.,LTD.

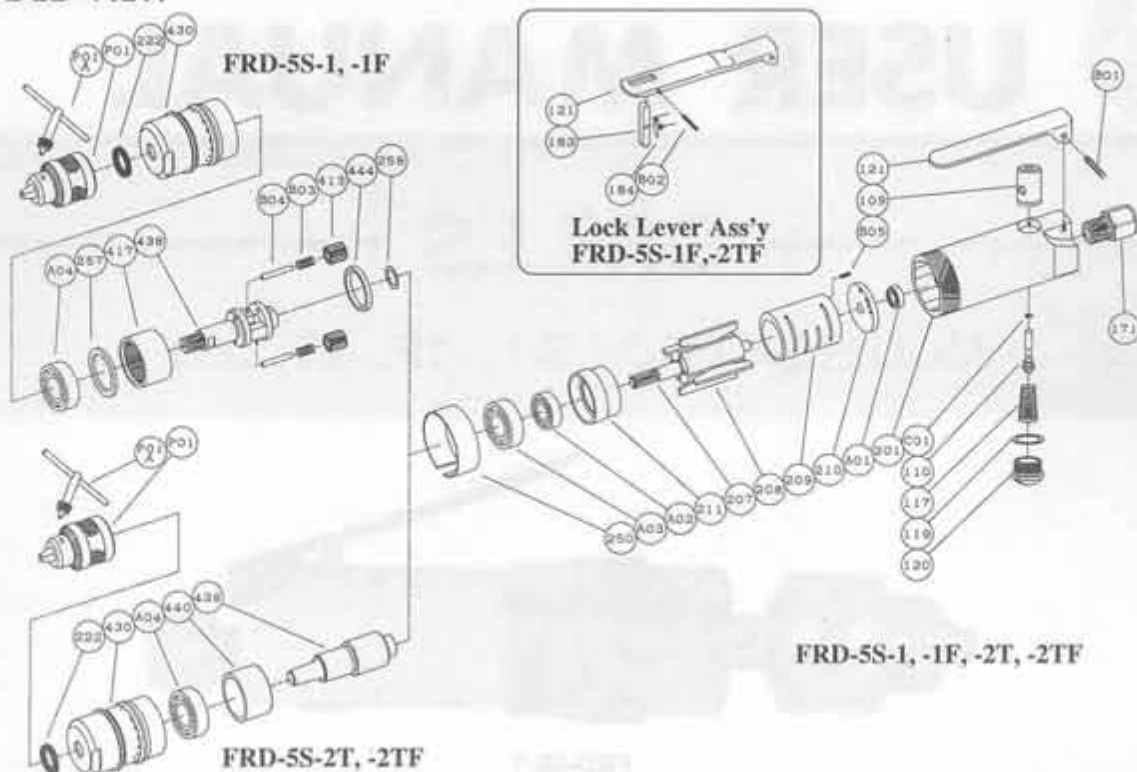
1-14, Kamiiji 2-chome, Higashinari-ku, Osaka 537-0003, Japan

Tel : (06) 6972-2335

Fax : (06) 6972-2250

PARTS LIST MODEL : FRD-5S-1, -1F, -2T, -2TF

EXPLODED VIEW



PARTS LIST

Index No.	Parts No.	Parts Name	Qt.
FRD-5S-1, -2T			
Ass'y No.	D-059006-00	Housing Ass'y	
210	D-021006-50	Housing	1
(109)	D-021109-00	Throttle Valve Bushing	1
110	D-021110-A	Throttle Valve	1
117	D-021117-00	Throttle Valve Spring	1
119	D-021119-00	T.V. Cover Packing	1
120	D-021120-00	Throttle Valve Cover	1
121	D-021121-A	Throttle Valve Lever	1
171	IB-202000	Inlet Bushing < PT >	1
171	IB-202N00	Inlet Bushing < NPT >	1
B01	SP-320	Spring Pin	1
C01	O-P3	"O" Ring	1
FRD-5S-1F, -2TF			
Ass'y No.	D-059006-01	Housing Ass'y	
201	D-021006-50	Housing	1
(109)	D-021109-00	Throttle Valve Bushing	1
110	D-021110-A	Throttle Valve	1
117	D-021117-00	Throttle Valve Spring	1
119	D-021119-00	T.V. Cover Packing	1
120	D-021120-00	Throttle Valve Cover	1
171	IB-202000	Inlet Bushing < PT >	1
171	IB-202N00	Inlet Bushing < NPT >	1
B01	SP-320	Spring Pin	1
C01	O-P3	"O" Ring	1
Ass'y No.	D-144019-01	Lock Level Ass'y	
121	G-144121-02	Throttle Valve Lever	1
183	G-144183-02	Lock Key	1
184	G-144184-00	Lock Spring	1
B02	SP-218	Spring Pin	1
FRD-5S-1, -1F			
Ass'y No.	D-021041-00	No.1 Planet Gear Ass'y	2
413	D-021413-00	No.1 Planet Gear	1
B03	NR-19.5	Needle Roller	12
B04	NR-315.8	Needle Roller	1
207	D-021207-00	Rotor	1
208	D-021208-00	Rotor Blade	4

Index No.	Parts No.	Parts Name	Qt.
209	D-021209-00	Cylinder	1
(B05)	SP-26	Spring Pin	1
210	D-021210-00	Cylinder Upper Plate	1
211	D-021211-00	Cylinder Lower Plat	1
222	D-014222-00	Felt Ring	1
250	D-058250-00	Exhaust Cover	1
257	D-058257-00	Washer	1
258	D-058258-00	Washer 	1
417	D-058417-00	No.1 Internal Gear	1
430	D-058430-00	No.1 Gear Case	1
438	D-058438-01	Spindle	1
444	D-021444-00	Internal Gear Washer	1
A01	BB-634	Ball Bearing	1
A02	BB-626	Ball Bearing	1
A03	BB-EE3	Ball Bearing	1
A04	BB-EE4	Ball Bearing	1
P01	DCK-6.5	Drill Chuck	1
(P01A)	DCK-6.5H	Drill Chuck Handle	1
FRD-5S-2T, -2TF			
207	D-021207-00	Rotor	1
208	D-021208-00	Rotor Blade	4
209	D-021209-00	Cylinder	1
(B05)	SP-26	Spring Pin	1
210	D-021210-00	Cylinder Upper Plate	1
211	D-021211-00	Cylinder Lower Plat	1
222	D-014222-00	Felt Ring	1
250	D-058250-00	Exhaust Cover	1
430	D-058430-00	No.1 Gear Case	1
438	D-075438-00	Spindle	1
440	D-075440-00	Ring	1
A01	BB-634	Ball Bearing	1
A02	BB-626	Ball Bearing	1
A03	BB-EE3MN	Ball Bearing	1
A04	BB-EE4MN	Ball Bearing	1
P01	DCK-5J	Drill Chuck	1
(P01A)	DCK-5H	Drill Chuck Handle	1

□ Ass'y No. denotes the assembled parts comprising of more than 1pc. of parts.

The related parts are shown in the thick frame.

□ #201, 209 and P01 are supplied together with parts shown in ().

□ Specify parts number and quantity in ordering.

* The quantity of the Planet Gear Ass'y is for one set of tool.

* The quantity of components of the Planet Gear Ass'y is for one pc. of Ass'y.

■ Standard Accessory:

FRD-5S-1, -1F : F-103-----10Hex Open-End Wrench 1.