



# USER MANUAL

## BABY ANGLE DRILLS

MODELS : FCD-6EX-3, -4



FCD-6EX-3



FCD-6EX-4

### SPECIFICATIONS

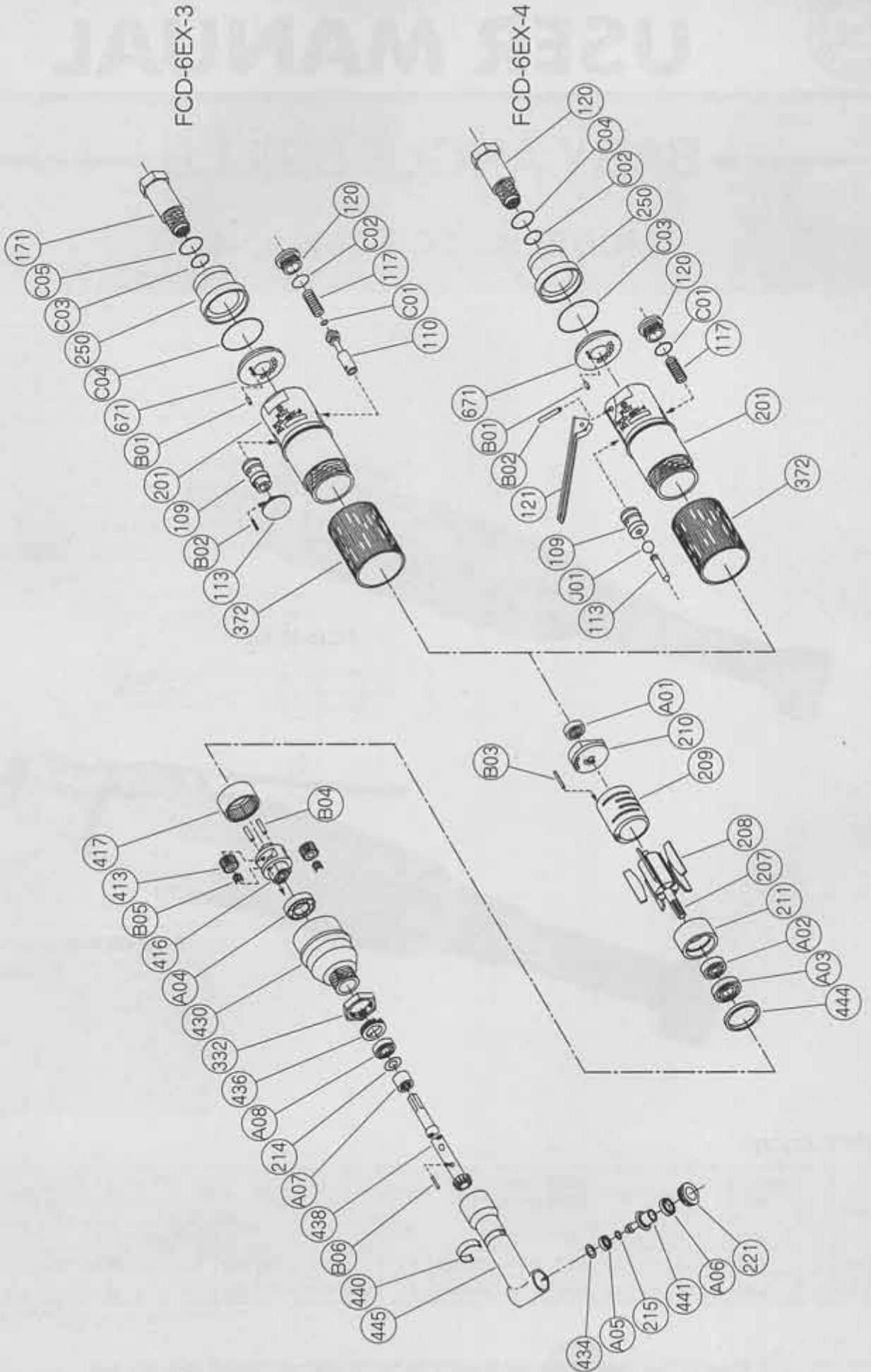
Model	Drilling Capacity (Guidance)	Stall Torque			Max. Output	Free Speed	Spindle Type	Side To Center		Overall Length		Mass		Max. Air Consumption		Air Inlet Thread	Air Hose Size	
		mm	N·m	kgf·m				ft·lb	kW	min <sup>-1</sup>	in	mm	in	mm	in		kg	lb
FCD-6EX-3	6.35	2.9	0.3	2.2	0.27	3,500	1/4-28UNF	8.5	11/32	246	9 11/16	0.69	1.5	0.76	26.8	PT1/4	6.3	1/4
FCD-6EX-4	6.35	2.9	0.3	2.2	0.27	3,500	1/4-28UNF	8.5	11/32	246	9 11/16	0.69	1.5	0.76	26.8	PT1/4	6.3	1/4

○The performance figures are at 0.63 MPa (6.3 bar).



Refer to "The Instructions and Warning for Safety Use" enclosed in each tool box.

# EXPLODED VIEW MODEL : FCD-6EX-3, -4



# PARTS LIST MODEL : FCD-6EX-3, -4

Index No.	Parts No.	Parts Name	Qt.	Index No.	Parts No.	Parts Name	Qt.
<b>FCD-6EX-3</b>				<b>FCD-6EX-3, -4</b>			
<b>CP No.</b>	<b>D-161006-02</b>	<b>Housing C.P</b>		207	D-161207-00	Rotor	1
109	D-161109-00	Throttle Valve Bushing	1	208	D-161208-00	Rotor Blade	5
110	D-161110-00	Throttle Valve	1	209	D-161209-00	Cylinder	1
113	D-161113-00	Throttle Valve Rod	1	(B03)	SP-216	Spring Pin	1
117	D-021117-00	Throttle Valve Spring	1	210	D-161210-00	Cylinder Upper Plate	1
120	D-161120-00	Throttle Valve Cover	1	211	D-161211-00	Cylinder Lower Plate	1
171	W-100171-00	Inlet Joint <PT>	1	214	D-161214-00	Adjusting Washer	1
171	W-100171-01	Inlet Joint <NPT>	1	214	D-161214-01	Adjusting Washer	1
201	D-161201-02	Housing	1	214	D-161214-02	Adjusting Washer	1
250	G-209250-00	Exhaust Cover	1	215	D-161215-00	Adjusting Washer <B>	1
671	G-209671-00	Exhaust Cover Joint	1	215	D-161215-01	Adjusting Washer <B>	1
B01	SP-2.56	Spring Pin	1	221	D-161221-01	Spindle Bearing Cover	1
B02	SP-1.58	Spring Pin	1	332	D-161332-00	Lock Nut	1
C01	O-P3	"O" Ring	1	372	D-161372-00	Plastic Cover	1
C02	O-S10	"O" Ring	1	413	D-161413-00	No.1 Planet Gear	2
C03	O-S10	"O" Ring	1	416	D-161416-00	No.1 Planet Gear Frame	1
C04	O-S28	"O" Ring	1	417	D-058417-00	No.1 Internal Gear	1
C05	O-S16	"O" Ring	1	430	D-161430-00	No.1 Gear Case	1
<b>FCD-6EX-4</b>				434	D-161434-00	Bearing Washer	1
<b>CP No.</b>	<b>D-161006-03</b>	<b>Housing C.P</b>		436	D-161436-00	Bearing Holder	1
109	D-161109-01	Throttle Valve Bushing	1	438	D-161438-00	Spindle	1
113	G-144113-00	Throttle Valve Rod	1	440	D-161440-00	Ring	1
117	D-021117-00	Throttle Valve Spring	1	441	D-161441-03	Spindle <B>	1
120	D-161120-00	Throttle Valve Cover	1	444	D-021444-00	Internal Gear Washer	1
121	G-146121-00	Throttle Valve Lever	1	445	D-161445-00	Spindle Case	1
171	W-100171-00	Inlet Joint <PT>	1	A01	BB-634	Ball Bearing	1
171	W-100171-01	Inlet Joint <NPT>	1	A02	BB-626	Ball Bearing	1
201	D-161201-03	Housing	1	A03	BB-EE3	Ball Bearing	1
250	G-209250-00	Exhaust Cover	1	A04	BB-6901	Ball Bearing	1
671	G-209671-00	Exhaust Cover Joint	1	A05	BB-685	Ball Bearing	1
B01	SP-2.56	Spring Pin	1	A06	BB-678	Ball Bearing	1
B02	SP-320	Spring Pin	1	A07	NB-HK0910	Needle Bearing	1
C01	O-S10	"O" Ring	1	A08	BB-697	Ball Bearing	1
C02	O-S10	"O" Ring	1	B04	NR-314	Needle Roller	2
C03	O-S28	"O" Ring	1	B05	NR-17	Needle Roller	24
C04	O-S16	"O" Ring	1	B06	SP-212	Spring Pin	1
J01	B-5/16U	Ball	1				

CP No. denotes the assembled parts comprising of more than 1 pc. of parts.

The related parts are shown in the thick frame.

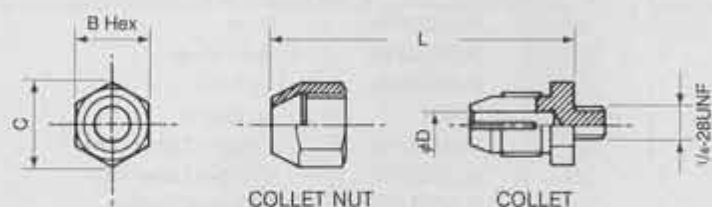
#209 are supplied together with parts shown in ( ).

Standard Accessories : IH-8B ..... Inlet Hose 1.

EH-50A ..... Exhaust Hose 1.

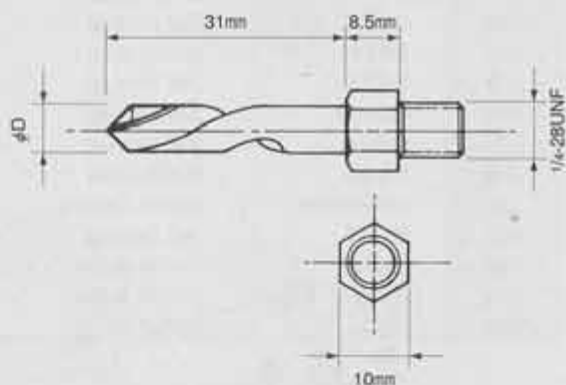
F-527 ..... Pin Spanner 1.

## OPTIONAL PARTS



### COLLET CHUCKS

AC No.	Part No.		Size				
			D		B(Hex)	C	L
	Collet Nut	Collet	mm	in	mm	mm	mm
CN-1801	D-021343-00	D-021342-02	—	1/16	12	13.8	15
CN-1802	D-021343-00	D-021342-00	3	—	12	13.8	15
CN-1803	D-021343-00	D-021342-01	3.2	—	12	13.8	15
CN-1804	D-023343-01	D-023342-01	4	—	14	16.2	21
CN-1805	D-023343-01	D-023342-03	—	3/16	14	16.2	21
CN-1806	D-023343-01	D-023342-02	5	—	14	16.2	21
CN-1807	D-023343-00	D-023343-04	6	—	17	19.6	23
CN-1808	D-023343-00	D-023342-00	—	1/4	17	19.6	23



### SNAKE DRILLS

AC No.	Size
	D
	mm
SN-2	2
SN-3	3
SN-4	4
SN-5	5
SN-6	6

## FUJI AIR TOOLS CO., LTD.

2-1-14 Kamiji, Higashinari-ku, Osaka, 537-0003 Japan

Tel : (06) 6972-2335

Fax : (06) 6972-2250