



USER MANUAL

CORNER DRILLS

MODELS : FCD-32R-11, -11S



SPECIFICATIONS

Model	Capacity (Guidance)				Stall Torque			Free Speed	Socket	Side to Center		Feed Length		Overall Length		Mass		Max Air Consumption		Air Hose Size	
	Drilling		Reaming-Tapping																		
	mm	in	mm	in	N·m	kgf·m	lbf·ft	min ⁻¹	M.T.#	mm	in	mm	in	mm	in	kg	lb	Nm ³ /min	lit/min	mm	in
FCD-32R-11	32	1 1/4	32	1 1/4	177	18	130.1	350	3	35	1 3/8	53	2 1/8	578	22 3/4	13.5	29.7	1.8	63.5	19	3/4
FCD-32R-11S	32	1 1/4	32	1 1/4	177	18	130.1	350	3	35	1 3/8	53	2 1/8	578	22 3/4	13.5	29.7	1.8	63.5	19	3/4

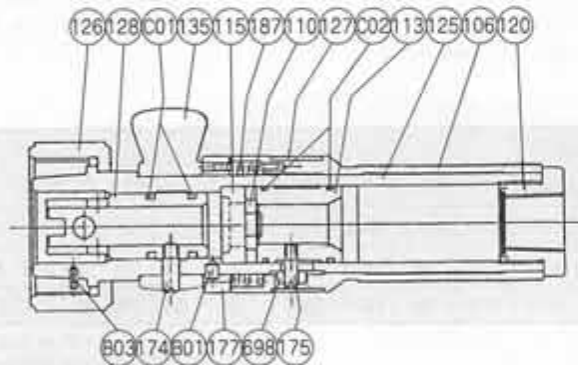
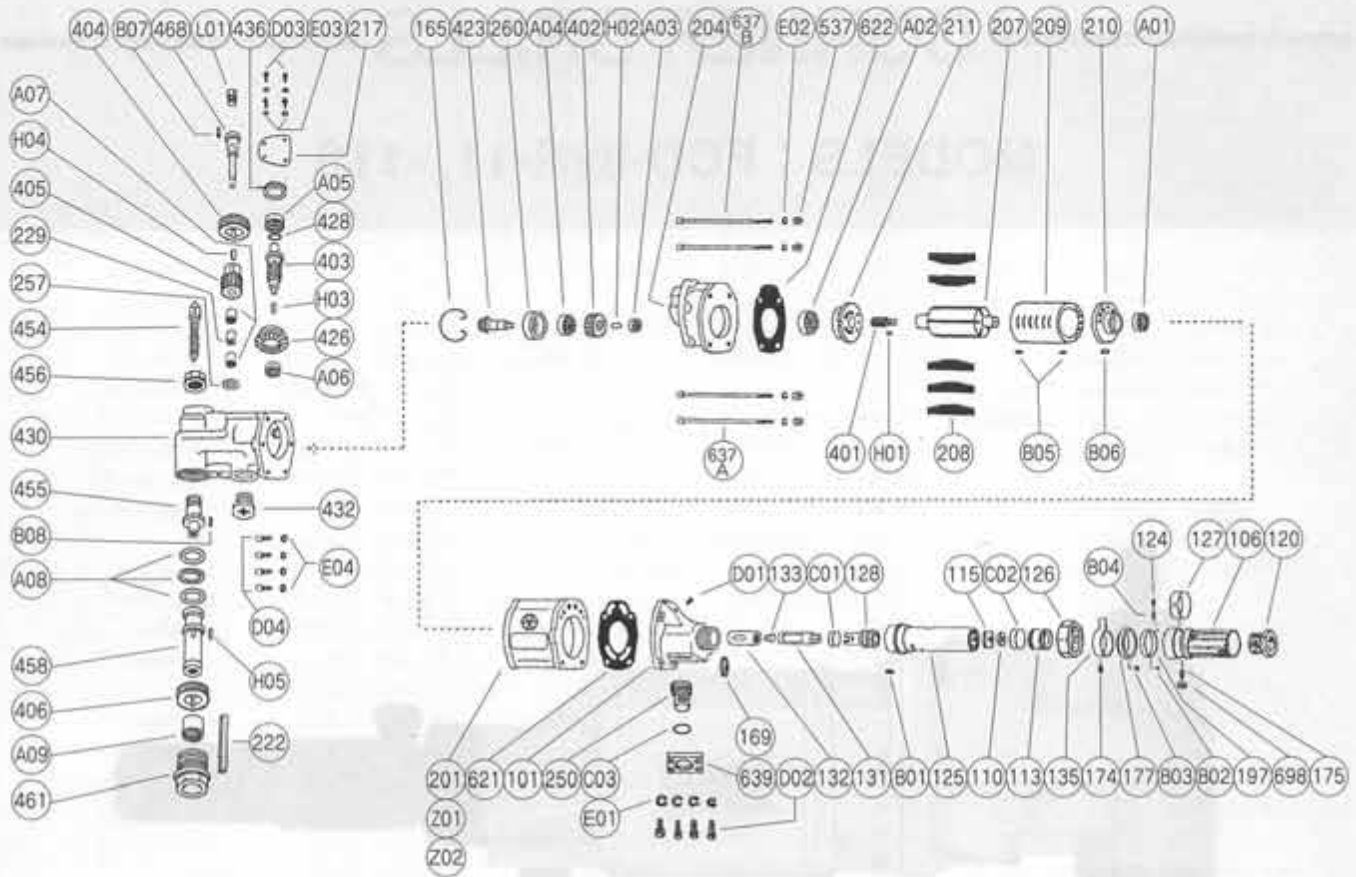
- 1/2" air inlet thread size.
- The performance figures are at 0.63 MPa (6.3 bar).
- The models with "S" at the end of model names are Self Return Rolling Throttle types.



Refer to "The Instructions and Warning for Safety Use" enclosed in each tool box.

EXPLODED VIEW MODEL : FCD-32R-11, -11S

USER MANUAL



Self Return Roll Handle

PARTS LIST MODEL: FCD-32R-11, -11S

Index No.	Parts No.	Parts Name	Qt.	Index No.	Parts No.	Parts Name	Qt.	Index No.	Parts No.	Parts Name	Qt.
FCD-32R-11 Roll Handle Type				175	D-029175-01	Small Screw 	1	436	D-029436-00	Bearing Holder	1
				177	D-029177-03	Throttle Handle Step	1	454	D-029454-00	Feed Screw	1
CP No.	D-096004-00	Throttle Valve Stem CP<R>		187	D-029187-00	Throttle Valve Handle Spring	1	455	D-029455-00	Feed Sleeve	1
106	D-029106-03	Throttle Valve Handle	1	698	D-029698-00	Guide Roller	1	456	D-029456-00	Feed Sleeve Nut	1
110	D-029110-01	Throttle Valve	1	B03	NR-56	Needle Roller	1	458	D-029458-A	MT. Socket	1
113	D-029113-01	Throttle Valve Rod	1	C01	O-14	"O" Ring	2	461	D-029461-00	Socket Nut	1
115	D-029115-01	Throttle Valve Sheet	1	C02	O-S24	"O" Ring	2	468	D-029468-00	No.2 Gear Spindle	1
120	D-029120-03	Throttle Valve Cover <PT>	1	All of the above parts can be commonly used on all the models.				537	W-086537-00	Hexagon Nut	4
120	D-029120-04	Throttle Valve Cover <NPT>	1	FCD-32R-11, -11S				621	D-029621-00	Packing <A>	1
124	G-005124-00	Knock Spring	1	CP No.	D-098001-51	Hosing Cover Semi CP		622	D-029622-00	Packing 	1
125	D-015125-03	Throttle Valve Stem	1	101	D-098101-01	Hosing Cover	1	637A	D-029637-00	Half-Cut Head Bolt	2
(B01)	SP-310	Spring Pin	1	132	D-029132-00	Reverse Valve Bushing	1	637B	D-029637-01	Half-Cut Head Bolt	2
126	D-015126-00	Throttle Valve Stem Nut	1	169	D-098169-00	Reverse Valve Washer	1	639	D-098639-00	Exhaust Cover Holder	1
127	D-029127-00	Throttle Valve Handle Band	1	D01	S-610RS	Screw	1	A01	BB-6203	Ball Bearing	1
128	D-015128-01	Reverse Valve Rod	1	131	D-029131-00	Reverse Valve	1	A02	BB-6005	Ball Bearing	1
135	D-029135-01	Reverse Valve Lever	1	133	D-029133-00	Reverse Valve Sheet	1	A03	BB-629	Ball Bearing	1
174	D-029174-01	Small Screw	1	165	D-029165-00	Stop Ring	1	A04	BB-6203	Ball Bearing	1
175	D-029175-01	Small Screw 	1	201	D-098201-00	Housing	1	A05	BB-6200	Ball Bearing	1
177	D-029177-03	Throttle Handle Step	1	204	D-029204-00	Hosing Lower Cover	1	A06	BB-6203	Ball Bearing	1
197	D-098197-00	Handle Bushing	1	207	D-029207-00	Rotor	1	A07	NB-SC108	Needle Bearing	2
(B02)	SP-28	Spring Pin	1	208	D-029208-00	Rotor Blade	5	A08	BB-2905	Thrust Bearing	1
698	D-029698-00	Guide Roller	1	209	D-029209-00	Cylinder	1	A09	NB-SC2220	Needle Bearing	1
B03	NR-56	Needle Roller	1	(B05)	SP-312	Spring Pin	2	B06	P-67	Pin	1
B04	NR-35FR	Needle Roller	1	210	D-029210-00	Cylinder Upper Plate	1	B07	SP-410	Spring Pin	1
C01	O-14	"O" Ring	2	211	D-029211-00	Cylinder Lower Plate	1	B08	SP-410	Spring Pin	1
C02	O-S24	"O" Ring	2	217	D-029217-00	Bearing Cover	1	C03	O-P22A	"O" Ring	1
FCD-32R-11S Self Return Roll Handle Type				217	D-029217-00	Bearing Cover	1	D02	CS-615	Cap Screw	4
CP No.	D-096004-01	Throttle Valve Stem CP<S>		222	D-029222-00	Felt Ring	1	D03	S-610R	Screw	4
106	D-029106-03	Throttle Valve Handle	1	229	D-029229-00	Bearing Spacer	1	D04	CS-622	Cap Screw	6
110	D-029110-01	Throttle Valve	1	250	D-098250-00	Exhaust Cover	1	E01	SW-6	Spring Washer	4
113	D-029113-01	Throttle Valve Rod	1	257	D-029257-00	Washer	1	E02	SW-6	Spring Washer	4
115	D-029115-01	Throttle Valve Sheet	1	260	D-029260-00	Bearing Case	1	E03	SW-6	Spring Washer	4
120	D-029120-03	Throttle Valve Cover <PT>	1	401	D-029401-00	No.1 Pinion	1	E04	SW-6	Spring Washer	6
120	D-029120-04	Throttle Valve Cover <NPT>	1	402	D-029402-00	No.1 Gear	1	H01	K-43.515	Key	1
125	D-015125-03	Throttle Valve Stem	1	403	D-029403-00	No.2 Pinion	1	H02	K-4414.5	Key	1
(B01)	SP-310	Spring Pin	1	404	D-029404-00	No.2 Gear	1	H03	K-5513	Key	1
126	D-015126-00	Throttle Valve Stem Nut	1	405	D-029405-00	No.3 Pinion	1	H04	K-5515	Key	1
127	D-029127-00	Throttle Valve Handle Band	1	406	D-029406-00	No.3 Gear	1	H05	K-5515	Key	1
128	D-015128-01	Reverse Valve Rod	1	423	D-029423-00	Bevel Pinion	1	L01	PL-3/8	Plug	1
135	D-029135-01	Reverse Valve Lever	1	426	D-029426-00	Bevel Gear	1	Z01	NP-5002	Name Plate	1
174	D-029174-01	Small Screw	1	430	D-029430-00	No.1 Gear Case	1	Z02	NPN-0×3.2	Screw Rivet	2
				432	D-029432-00	Gear Case Cover	1				

CP No. denotes the assembled parts comprising of more than 1 pc. of parts.

Specify parts number and quantity in ordering.

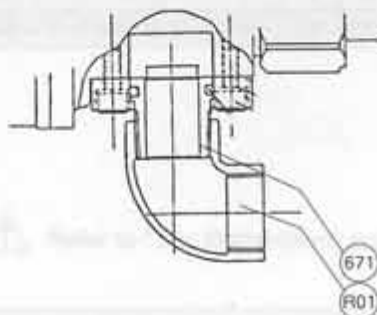
The related parts are shown in the thick frame.

Standard Accessory : F-7088mm Hex. Pin Wrench 1.

#125, 197 and 209 are supplied together with parts shown in ().

OPTIONAL PART LIST : EXHAUST HOSE JOINT

Index No.	Parts No.	Parts Name	Qt.
671	D-091671-00	Exhaust Cover Joint	1
R01	JE-3/4	Elbow	1



OPTIONAL PART

EXHAUST HOSE
JOINT

OPTIONAL PART LIST - EXHAUST HOSE JOINT

EXHAUST HOSE JOINT			EXHAUST HOSE JOINT			EXHAUST HOSE JOINT		
Part No.	Description	QTY	Part No.	Description	QTY	Part No.	Description	QTY
01	Exhaust Hose Joint	1	01	Exhaust Hose Joint	1	01	Exhaust Hose Joint	1
02	02	02
03	03	03
04	04	04
05	05	05
06	06	06
07	07	07
08	08	08
09	09	09
10	10	10
11	11	11
12	12	12
13	13	13
14	14	14
15	15	15
16	16	16
17	17	17
18	18	18
19	19	19
20	20	20
21	21	21
22	22	22
23	23	23
24	24	24
25	25	25
26	26	26
27	27	27
28	28	28
29	29	29
30	30	30
31	31	31
32	32	32
33	33	33
34	34	34
35	35	35
36	36	36
37	37	37
38	38	38
39	39	39
40	40	40
41	41	41
42	42	42
43	43	43
44	44	44
45	45	45
46	46	46
47	47	47
48	48	48
49	49	49
50	50	50
51	51	51
52	52	52
53	53	53
54	54	54
55	55	55
56	56	56
57	57	57
58	58	58
59	59	59
60	60	60
61	61	61
62	62	62
63	63	63
64	64	64
65	65	65
66	66	66
67	67	67
68	68	68
69	69	69
70	70	70
71	71	71
72	72	72
73	73	73
74	74	74
75	75	75
76	76	76
77	77	77
78	78	78
79	79	79
80	80	80
81	81	81
82	82	82
83	83	83
84	84	84
85	85	85
86	86	86
87	87	87
88	88	88
89	89	89
90	90	90
91	91	91
92	92	92
93	93	93
94	94	94
95	95	95
96	96	96
97	97	97
98	98	98
99	99	99
100	100	100



FUJI AIR TOOLS CO., LTD.

2-1-14 Kamiji, Higashinari-ku, Osaka, 537-0003 Japan

Tel : (06) 6972-2335
 Fax : (06) 6972-2250
 E-mail : overseas@fujiair.co.jp

