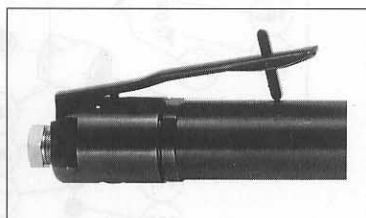




# USER MANUAL

## EXTENDED GRINDERS

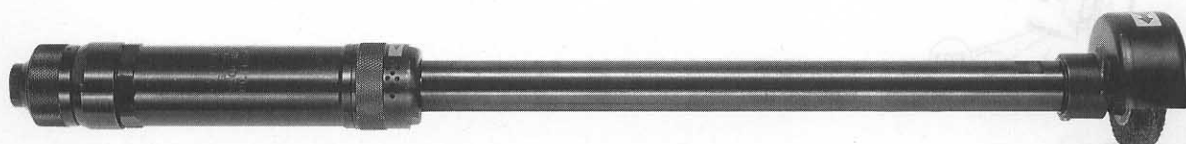
MODELS : FG-50L, 50Y SERIES



FG-50L-\*BF  
FG-50Y-\*BF



FG-50L-1, -2



FG-50Y-1, -2

### SPECIFICATIONS

Model	Capacity (Grinding Wheel)		Rotational Frequency	Spindle Thread Size	Overall Length		Mass		Max. Air Consumption		Air Inlet Thread Size	Air Hose Size	
	mm	in			min <sup>-1</sup>	in	mm	in	kg	lb		m <sup>3</sup> /min	ft <sup>3</sup> /min
FG-50L-1	50×13×9.5	2×1/2×3/8	18,000	W3/8-16	307	12 3/32	1.3	2.8	0.43	15.2	PT or NPT 1/4	9.5	3/8
FG-50L-1BF	50×13×9.5	2×1/2×3/8	18,000	W3/8-16	316	12 7/16	1.4	3.0	0.43	15.2	PT or NPT 1/4	9.5	3/8
FG-50L-2	50×13×9.5	2×1/2×3/8	18,000	3/8-24 UNF	307	12 3/32	1.3	2.8	0.43	15.2	PT or NPT 1/4	9.5	3/8
FG-50L-2BF	50×13×9.5	2×1/2×3/8	18,000	3/8-24 UNF	316	12 7/16	1.4	3.0	0.43	15.2	PT or NPT 1/4	9.5	3/8
FG-50Y-1	50×13×9.5	2×1/2×3/8	18,000	W3/8-16	523	20 19/32	1.9	4.1	0.43	15.2	PT or NPT 1/4	9.5	3/8
FG-50Y-1BF	50×13×9.5	2×1/2×3/8	18,000	W3/8-16	532	20 15/16	2.0	4.4	0.43	15.2	PT or NPT 1/4	9.5	3/8
FG-50Y-2	50×13×9.5	2×1/2×3/8	18,000	3/8-24 UNF	523	20 19/32	1.9	4.1	0.43	15.2	PT or NPT 1/4	9.5	3/8
FG-50Y-2BF	50×13×9.5	2×1/2×3/8	18,000	3/8-24 UNF	532	20 15/16	2.0	4.4	0.43	15.2	PT or NPT 1/4	9.5	3/8

The performance figures are at 0.63MPa (6.3bar).

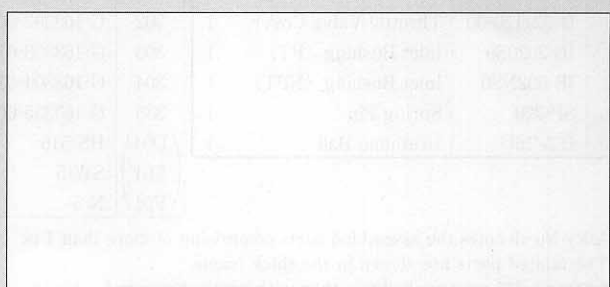
⚠ Refer to "The Instructions and Warning for Safety Use" enclosed in each tool box.

FUJI AIR TOOLS CO., LTD.

2-1-14 Kamiji, Higashinariku, Osaka 537-0003, Japan

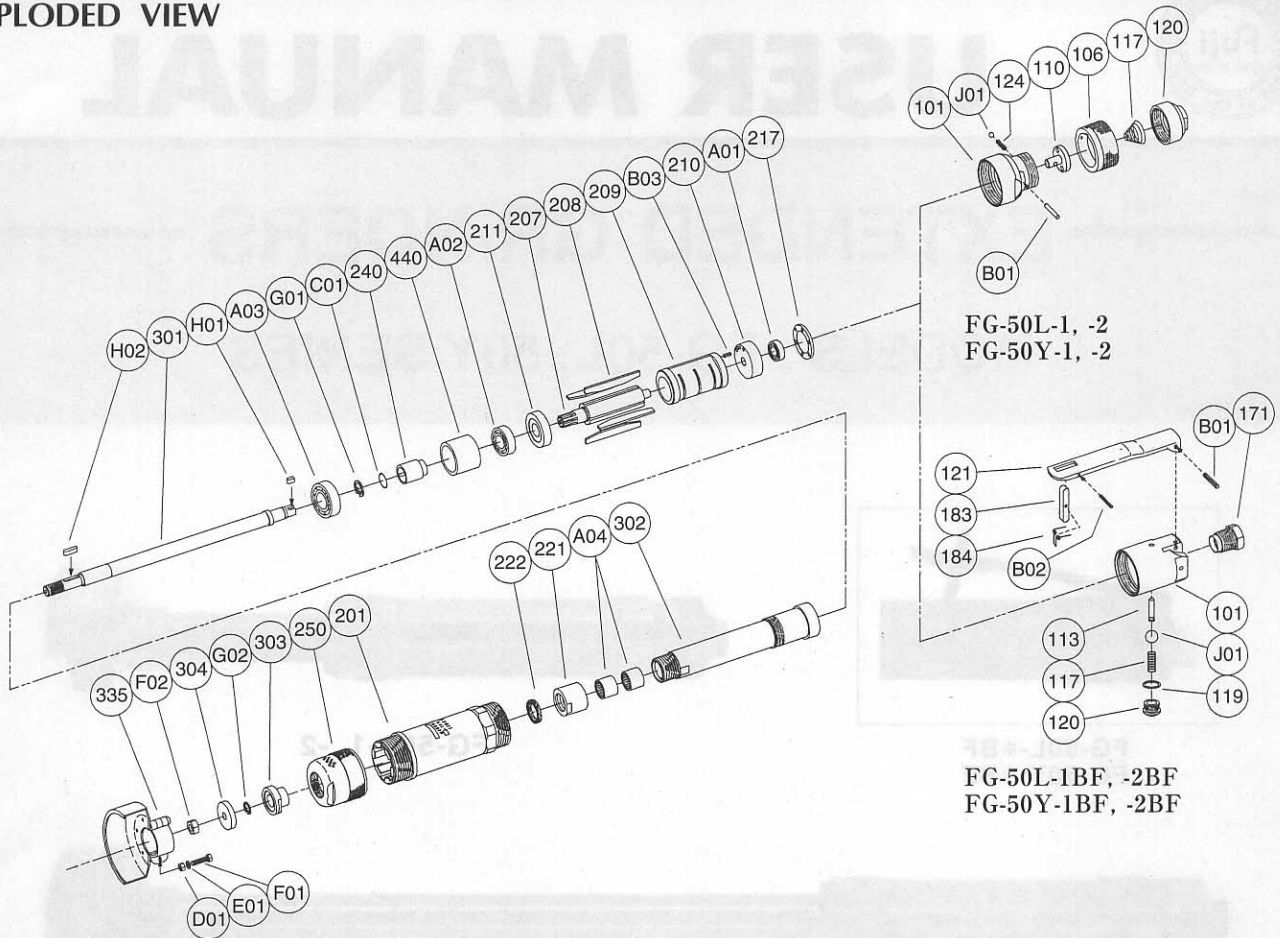
Tel : (06) 6972-2335

Fax : (06) 6972-2250



# PARTS LIST MODEL: FG-50L, 50Y SERIES

## EXPLODED VIEW



## PARTS LIST

Index No.	Parts No.	Parts Name	Qt.	Index No.	Parts No.	Parts Name	Qt.	Index No.	Parts No.	Parts Name	Qt.
<b>FG-50L-1, -2 FG-50Y-1, -2</b>				Assy No.	A-122019-01	" F " Lock Lever Ass'y		440	G-163440-00	Ring	1
Assy No.	G-158001-00	Housing Cover Ass'y		121	A-122121-00	Throttle Valve Lever	1	A01	BB-626	Ball Bearing	1
101	G-158101-00	Housing Cover	1	183	G-144183-02	Lock Key	1	A02	BB-609	Ball Bearing	1
106	G-040106-A	Throttle Valve Handle	1	184	G-144184-00	Lock Spring	1	A03	BB-6001	Ball Bearing	1
110	G-011110-00	Throttle Valve	1	B02	SP-218	Spring Pin	1	A04	NB-HK1210	Needle Bearing	2
117	G-042117-00	Throttle Valve Spring	1	<b>FG-50L-1, -1BF</b>				C01	O-P10A	" O " Ring	1
120	G-011120-00	Throttle Valve Cover (PT)	1	201	G-163201-00	Housing	1	F02	N-W3/8	Nut	1
120	G-011120-02	Throttle Valve Cover (NPT)	1	207	G-163207-00	Rotor	1	G01	SR-S12	Snap Ring	1
124	G-005124-00	Knock Spring	1	208	G-106208-00	Rotor Blade	4	G02	SR-SA10	Snap Ring	1
B01	NR-318.8	Needle Roller	1	209	G-106209-00	Cylinder	1	H01	K-338F	Key	1
J01	B-3	Ball	1	(B03)	SP-26	Spring Pin	1	H02	K-338	Key	1
<b>FG-50L-1BF, -2BF FG-50Y-1BF, -2BF</b>				210	G-106210-00	Cylinder Upper Plate	1	It is common with FG-50L-1, -1BF excluding the undermentioned parts.			
Assy No.	G-158001-06	Housing Cover Ass'y*		211	G-163211-00	Cylinder Lower Plate	1	<b>FG-50L-2, -2BF</b>			
101	G-158101-03	Housing Cover	1	217	G-106217-00	Bearing Cover	1	301	G-163301-01	Wheel Spindle	1
113	G-144113-00	Throttle Valve Rod	1	221	G-042221-00	Spindle Bearing Cover	1	F02	N-U3/8F	Nut	1
117	D-021117-00	Throttle Valve Spring	1	222	G-042222-00	Felt Ring	1	<b>FG-50Y-1, -1BF</b>			
119	D-021119-00	T. V. Cover Packing	1	240	G-163240-00	Coupling	1	201	G-164201-00	Housing	1
120	D-021120-00	Throttle Valve Cover	1	250	G-163250-00	Exhaust Cover	1	301	G-164301-00	Wheel Spindle	1
171	IB-3020S0	Inlet Bushing (PT)	1	301	G-163301-00	Wheel Spindle	1	302	G-164302-00	Wheel Spindle Case	1
171	IB-302NS0	Inlet Bushing (NPT)	1	302	G-163302-00	Wheel Spindle Case	1	<b>FG-50Y-2, -2BF</b>			
B01	SP-320	Spring Pin	1	303	G-163303-01	Wheel Flange (A)	1	201	G-164201-00	Housing	1
J01	B-5/16U	Urethane Ball	1	304	G-163304-01	Wheel Flange (B)	1	301	G-164301-01	Wheel Spindle	1
				335	G-163335-00	Wheel Guard	1	302	G-164302-00	Wheel Spindle Case	1
				(D01)	HS-516	Hexagon Bolt	1	F02	N-U3/8F	Nut	1
				(E01)	SW-5	Spring Washer	1				
				(F01)	N-5	Nut	1				

□ Assy No. denotes the assembled parts comprising of more than 1 pc. of parts. ■ Standard Accessories :

The related parts are shown in the thick frame.

□ #209 and 335 are supplied together with parts shown in ( ).

□ Specify parts number and quantity in ordering.

G-013308-00 ..... Spacer 1.

F-117 ..... 21mm Hex. Open-End Wrench 1.