

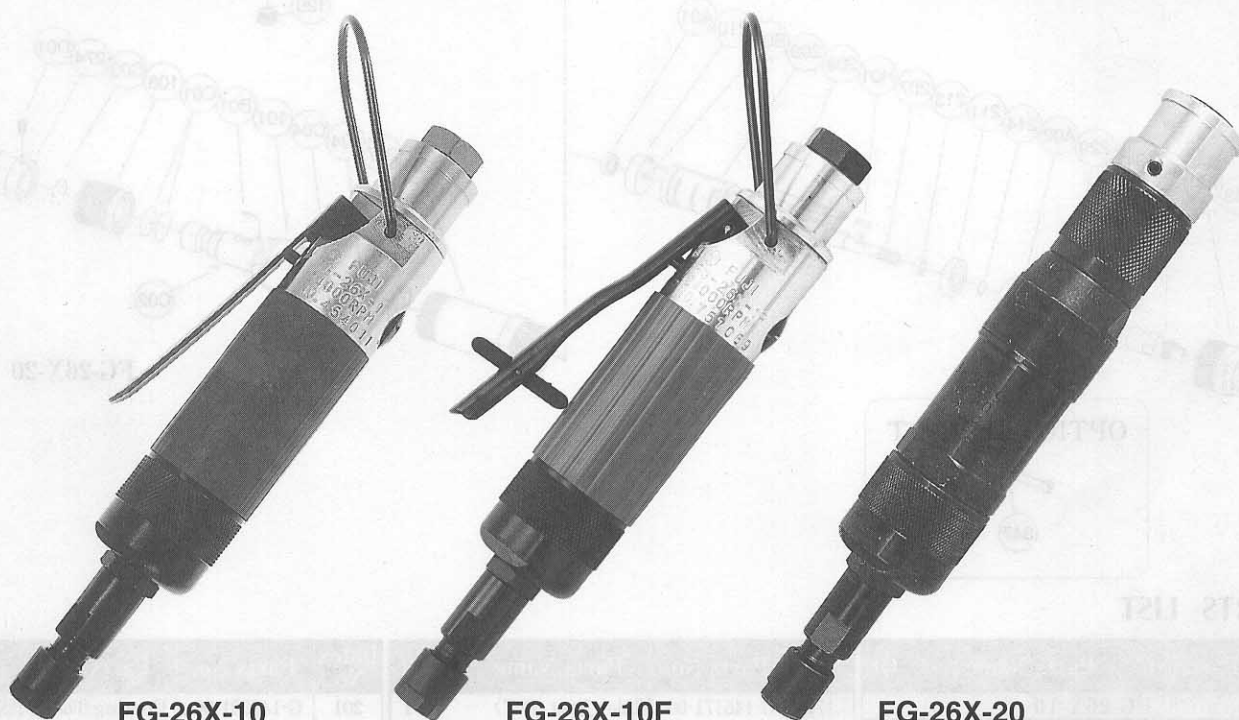


USER MANUAL

DIE GRINDERS

(REAR EXHAUST TYPE)

MODELS : FG-26X-10, -10F, -20



FG-26X-10

FG-26X-10F

FG-26X-20

SPECIFICATIONS

Model	Capacity				Collet Size		Rotational Frequency	Overall Length		Mass		Max. Air Consumption		Air Inlet Thread Size		Air Hose Size	
	Grinding Wheel		Burr Head														
	mm	in	mm	in	mm	in		min ⁻¹	mm	in	kg	lb	m ³ /min	ft ³ /min	in	mm	in
FG-26X-10	25	1	13	1/2	6	1/4	24,000	206	8 7/64	0.58	1.28	0.4	14.1	PT or NPT 1/4	9.5	3/8	
FG-26X-10F	25	1	13	1/2	6	1/4	24,000	206	8 7/64	0.58	1.28	0.4	14.1	PT or NPT 1/4	9.5	3/8	
FG-26X-20	25	1	13	1/2	6	1/4	24,000	211	8 19/64	0.70	1.54	0.4	14.1	PT or NPT 1/4	9.5	3/8	

The performance figures are at 0.63MPa (6.3bar).

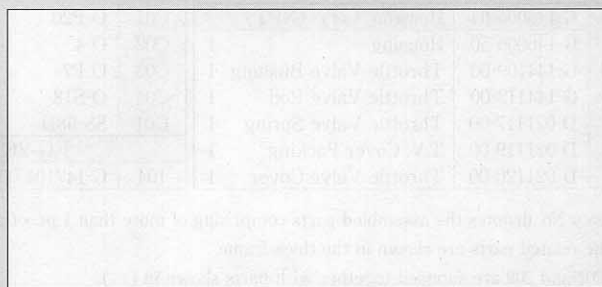
⚠ Refer to "The Instructions and Warning for Safety Use" enclosed in each tool box.

FUJI AIR TOOLS CO., LTD.

2-1-14 Kamiji, Higashinari-ku, Osaka 537-0003, Japan

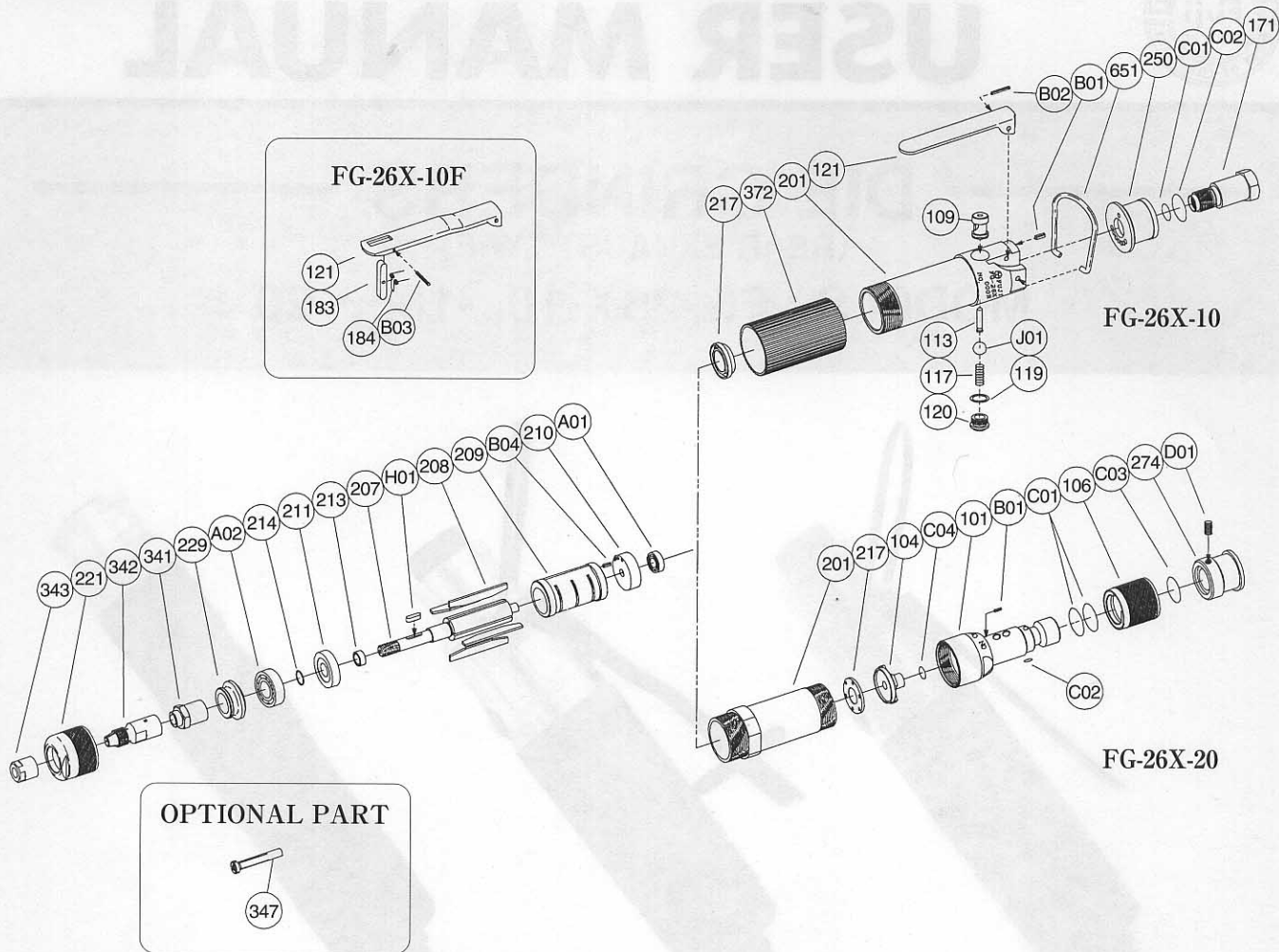
Tel : 81-6-6972-2335

Fax : 81-6-6972-2250



PARTS LIST MODEL: FG-26X-10, -10F, -20

EXPLODED VIEW



PARTS LIST

Index No.	Parts No.	Parts Name	Qt.	Index No.	Parts No.	Parts Name	Qt.	Index No.	Parts No.	Parts Name	Qt.				
FG-26X-10															
Assy No.	G-146006-00	Housing Ass'y		171	G-146171-00	Inlet Joint (PT)	1	201	G-147201-00	Housing (For FG-26X-20)	1				
201	G-146006-50	Housing	1		D-120171-00	Inlet Joint (NPT)	1	207	G-144207-02	Rotor	1				
(109)	G-144109-00	Throttle Valve Bushing	1	250	G-146250-00	Exhaust Cover	1	208	G-108208-00	Rotor Blade	4				
113	G-144113-00	Throttle Valve Rod	1	B01	SP-2.56	Spring Pin	1	209	G-108209-00	Cylinder	1				
117	D-021117-00	Throttle Valve Spring	1	B02	SP-320	Spring Pin	1	(B04)	SP-26	Spring Pin	1				
119	D-021119-00	T.V. Cover Packing	1	C01	O-S10	"O" Ring	1	210	G-108210-00	Cylinder Upper Plate	1				
120	D-021120-00	Throttle Valve Cover	1	C02	O-S16	"O" Ring	1	211	G-144211-01	Cylinder Lower Plate	1				
121	G-146121-00	Throttle Valve Cover	1	J01	B-5/16U	Urethane Ball	1	213	G-144213-00	Adjusting Collar	1				
171	G-146171-00	Inlet Joint (PT)	1	Assy No.	G-144019-01	Lock Lever Ass'y		214	G-144214-00	Adjusting Washer (T=0.03)	1				
	D-120171-00	Inlet Joint (NPT)	1	121	G-144121-02	Throttle Valve Lever	1		G-144214-01	Adjusting Washer (T=0.05)	1				
250	G-146250-00	Exhaust Cover	1	183	G-144183-02	Lock Key	1	217	G-141217-00	Bearing Cover (For FG-26X-10, -10F)	1				
B01	SP-2.56	Spring Pin	1	184	G-144184-00	Lock Spring	1		G-144342-00	Bearing Cover (For FG-26X-20)	1				
B02	SP-320	Spring Pin	1	B03	SP-218	Spring Pin	1	221	G-146221-00	Spindle Bearing Cover	1				
C01	O-S10	"O" Ring	1	FG-26X-20											
C02	O-S16	"O" Ring	1	Assy No.	G-137001-00	Housing Cover Ass'y		229	G-146229-00	Bearing Spacer	1				
J01	B-5/16U	Urethane Ball	1	101	G-137101-00	Housing Cover	1	341	G-144341-00	Chuck Collar	1				
FG-26X-10F															
Assy No.	G-146006-02	Housing Ass'y (PT)		106	G-137106-00	Throttle Valve Handle	1	342	G-144342-00	Collet (6mm)	1				
Assy No.	G-146006-04	Housing Ass'y (NPT)		274	A-127274-00	Exhaust Hose Joint	1		G-144342-01	Collet (1/4")	1				
201	G-146006-50	Housing	1	B01	SP-26	Spring Pin	1	343	G-144343-00	Collet Nut	1				
(109)	G-144109-00	Throttle Valve Bushing	1	C01	O-P20	"O" Ring	2	372	G-105372-00	Plastic Cover (For FG-26X-10, -10F)	1				
113	G-144113-00	Throttle Valve Rod	1	C02	O-4	"O" Ring	1	651	W-106651-00	Hanger (For FG-26X-10, -10F)	1				
117	D-021117-00	Throttle Valve Spring	1	C03	O-P7	"O" Ring	1	A01	BB-606	Ball Bearing	1				
119	D-021119-00	T.V. Cover Packing	1	C04	O-S18	"O" Ring	1	A02	BB-6000	Ball Bearing	1				
120	D-021120-00	Throttle Valve Cover	1	D01	SS-58D	Set Screw	1	H01	K-32512	Key	1				
FG-26X-10, -10F, -20															
104	G-147104-00	Bushing (For FG-26X-20)	1	OPTIONAL PART											
OPTIONAL PART															
347	G-032347-00	Collet Bushing (3mm)	1												
	G-032347-03	Collet Bushing (1/8")	1												

Assy No. denotes the assembled parts comprising of more than 1 pc. of parts.

The related parts are shown in the thick frame.

#201 and 209 are supplied together with parts shown in ().

Specify parts number and quantity in ordering.

■ Standard Accessories : F-105.....14mm Open-End Wrench 2.

EH-50A.....Exhaust Hose 1.

IH-8B.....PT1/4×PT1/4 Inlet Hose 1.