



USER MANUAL

DIE GRINDERS

MODELS : FG-26-20, -20BF



FG-26-20



FG-26-20BF

SPECIFICATIONS

Model	Collet Size		Capacity				Rotational Frequency min ⁻¹	Overall Length		Mass		Max. Air Consumption		Air Inlet Thread Size in	Air Hose Size	
	mm	in	Grinding Wheel		Burr Head			mm	in	kg	lb	m ³ /min	ft ³ /min		mm	in
FG-26-20	6	1/4	25	1	12.7	1/2	24,000	170	6 ⁴⁵ / ₆₄	0.60	1.3	0.4	14.1	PT or NPT 1/4	9.5	3/8
FG-26-20BF	6	1/4	25	1	12.7	1/2	24,000	179	7 ¹ / ₁₆	0.65	1.4	0.4	14.1	PT or NPT 1/4	9.5	3/8

* Standard type is Side Exhaust Cover type.
Please specify Front or Side Exhaust Cover type in ordering.

The performance figures are at 0.63MPa (6.3bar).

⚠ Refer to "The Instructions and Warning for Safety Use" enclosed in each tool box.

FUJI AIR TOOLS CO., LTD.

2-1-14 Kamiji, Higashinari-ku, Osaka, 537-0003 Japan

Tel : (06) 6972-2335

Fax : (06) 6972-2250

BOLT & NUT SETTERS
SCREW DRIVERS

ABRASIVE TOOLS

DRILLS · TAPPERS

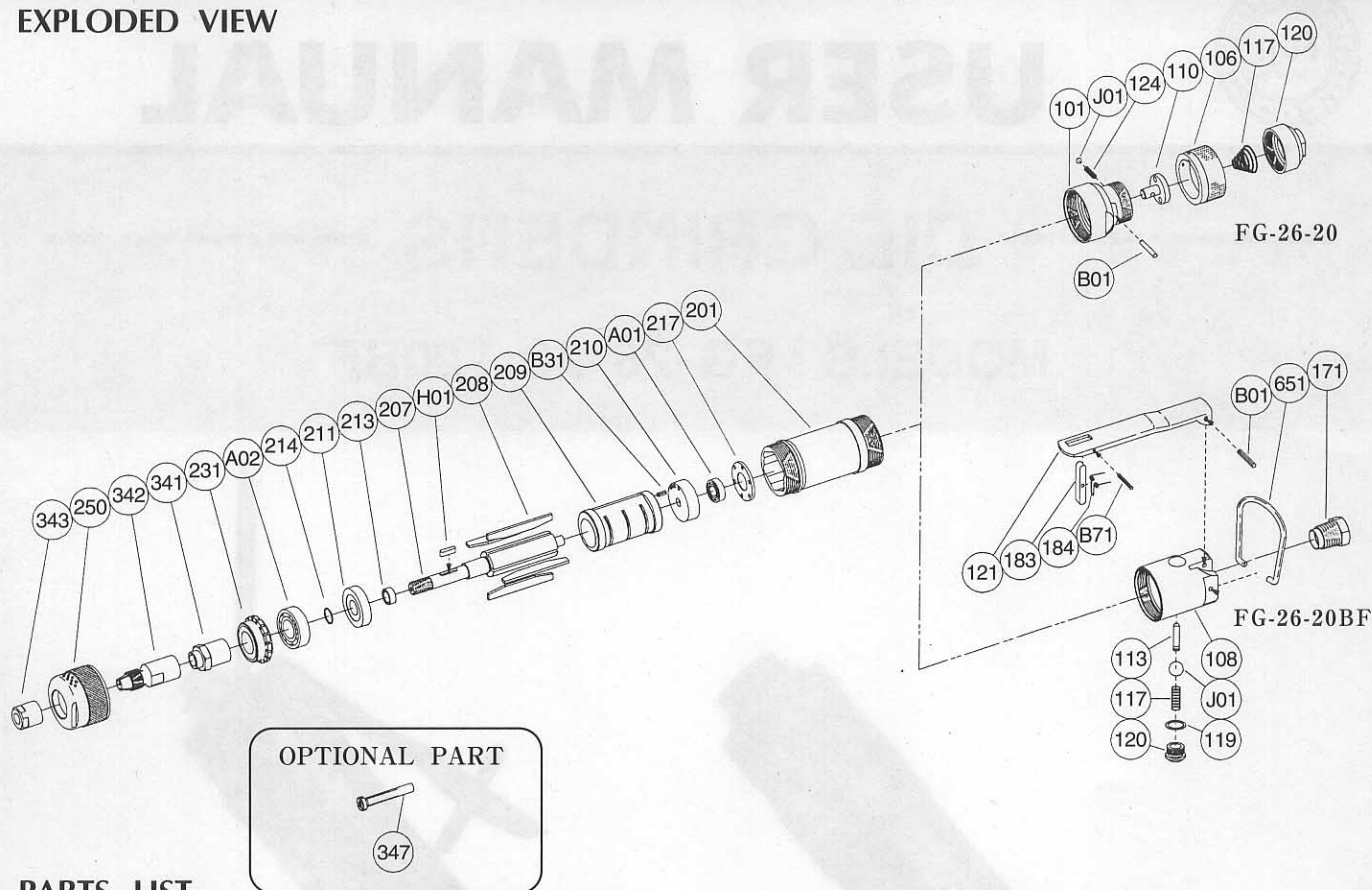
PERCUSSION TOOLS

AIR MOTORS & OTHERS

OTHER PRODUCTS

PARTS LIST MODEL: FG-26-20, -20BF

EXPLODED VIEW



PARTS LIST

Index No.	Parts No.	Parts Name	Qt.
FG-26-20			
Ass'y No.	G-145001-00	Housing Cover Ass'y (PT)	
Ass'y No.	G-145001-02	Housing Cover Ass'y (NPT)	
101	G-145101-00	Housing Cover	1
106	G-005106-01	Throttle Valve Handle	1
110	G-005110-00	Throttle Valve	1
117	G-042117-00	Throttle Valve Spring	1
120	G-005120-00	Throttle Valve Cover (PT)	1
	G-005120-01	Throttle Valve Cover (NPT)	1
124	G-005124-00	Knock Spring	1
B01	NR-316.8	Needle Roller	1
J01	B-3	Ball	1
FG-26-20BF			
Ass'y No.	G-145003-05	Throttle Valve Ass'y (PT)	
Ass'y No.	G-145003-07	Throttle Valve Ass'y (NPT)	
108	G-145108-01	Throttle Valve Body	1
113	G-144113-00	Throttle Valve Rod	1
117	D-021117-00	Throttle Valve Spring	1
119	D-021119-00	T.V. Cover Packing	1
120	D-021120-00	Throttle Valve Cover	1
171	IB-3020S0	Inlet Bushing (PT)	1
	IB-302NS0	Inlet Bushing (NPT)	1
B01	SP-320	Spring Pin	1
J01	B-5/16U	Urethane Ball	1
Ass'y No.	G-144019-01	Lock Lever Ass'y	
121	G-144121-02	Throttle Valve Lever	1
183	G-144183-02	Lock Key	1
184	G-144184-00	Lock Spring	1
B71	SP-218	Spring Pin	1

Index No.	Parts No.	Parts Name	Qt.
FG-26-20, -20BF			
201	G-145201-00	Housing	1
207	G-144207-02	Rotor	1
208	G-108208-00	Rotor Blade	4
209	G-108209-00	Cylinder	1
(B31)	SP-26	Spring Pin	1
210	G-108210-00	Cylinder Upper Plate	1
211	G-144211-01	Cylinder Lower Plate	1
213	G-144213-00	Adjusting Collar	1
214	G-144214-00	Adjusting Washer (T=0.03)	1
	G-144214-01	Adjusting Washer (T=0.05)	1
217	G-144217-00	Bearing Cover	1
231	G-144231-00	Silencer Plate	1
250	G-144250-01	Exhaust Cover (Side)	1
	G-144250-00	Exhaust Cover (Front)	1
341	G-144341-00	Chuck Collar	1
342	G-144342-00	Collet (6mm)	1
	G-144342-01	Collet (1/4")	1
343	G-144343-00	Collet Nut	1
651	W-106651-00	Hanger (For FG-26-20BF)	1
A01	BB-606	Ball Bearing	1
A02	BB-6000	Ball Bearing	1
H01	K-32.512	Key	1
OPTIONAL PART			
347	G-032347-00	Collet Bushing (3mm)	1
	G-032347-03	Collet Bushing (1/8")	1

Ass'y No. denotes no. of the assembled parts comprising of more than 1 pc. of parts.

The related parts are shown in the thick frame.

Index No. 209 is supplied together with parts shown in ().

Specify parts number and quantity in ordering.

■ Standard Accessories : F-105.....14mm Open-End Wrench 2.