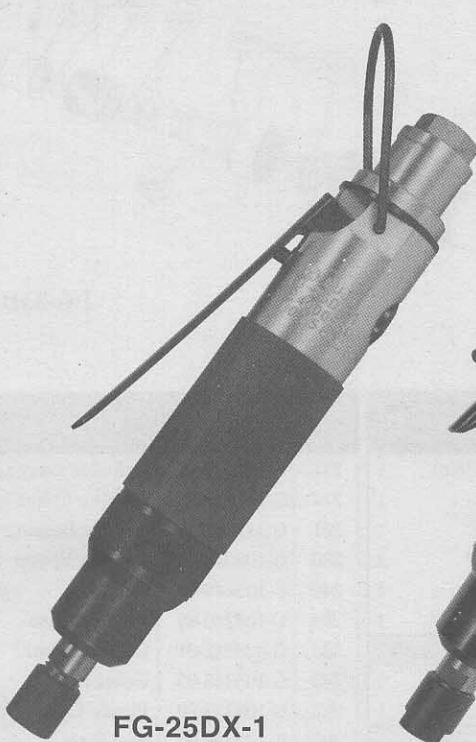




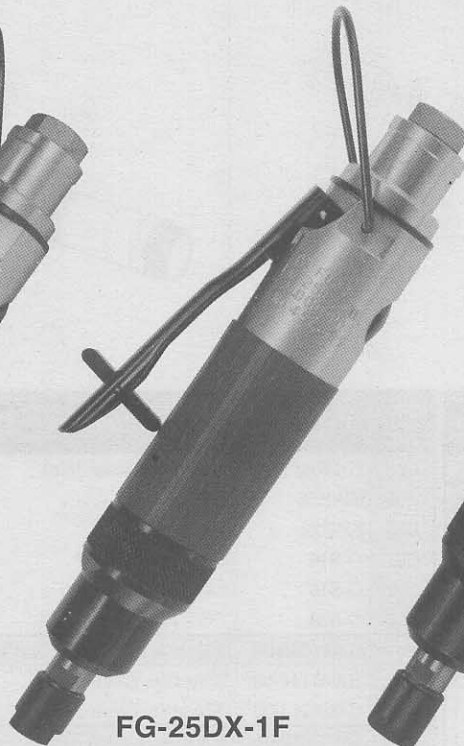
USER MANUAL

DIE GRINDERS

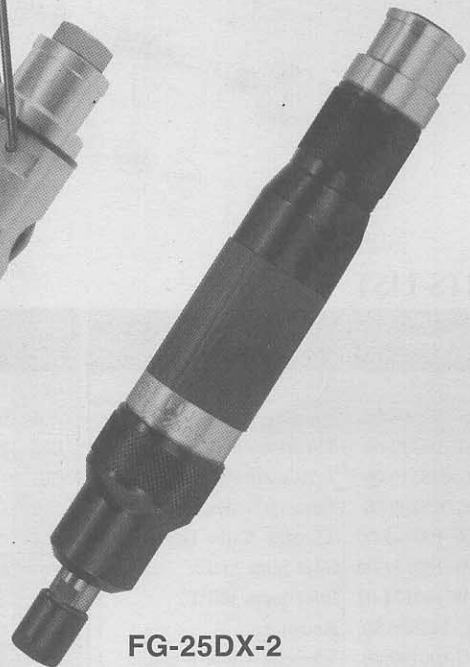
MODELS : FG-25DX-1, -1F, -2



FG-25DX-1



FG-25DX-1F



FG-25DX-2

SPECIFICATIONS

Model	Collet Size		Capacity				Free Speed	Overall Length		Mass		Max. Air Consumption		Air Inlet Thread Size	Air Hose Size	
			Grinding Wheel		Burr Head											
	mm	in	mm	in	mm	in	min ⁻¹	mm	in	kg	lb	Nm ³ /min	Nft ³ /min	in	mm	in
FG-25DX-1	6	1/4	25	1	13	1/2	24,000	230	9 1/6	0.80	1.7	0.4	14.1	PTor NPT 1/4	9.5	3/8
FG-25DX-1F	6	1/4	25	1	13	1/2	24,000	230	9 1/6	0.80	1.7	0.4	14.1	PTor NPT 1/4	9.5	3/8
FG-25DX-2	6	1/4	25	1	13	1/2	24,000	227	8 15/16	0.90	1.9	0.4	14.1	PTor NPT 1/4	9.5	3/8

The performance figures are at 0.63 MPa(6.3bar).



Refer to "The Instructions and Warning for Safety Use" enclosed in each tool box.

FUJI AIR TOOLS CO., LTD.

2-1-14 Kamiji, Higashinari-ku, Osaka 537-0003, Japan

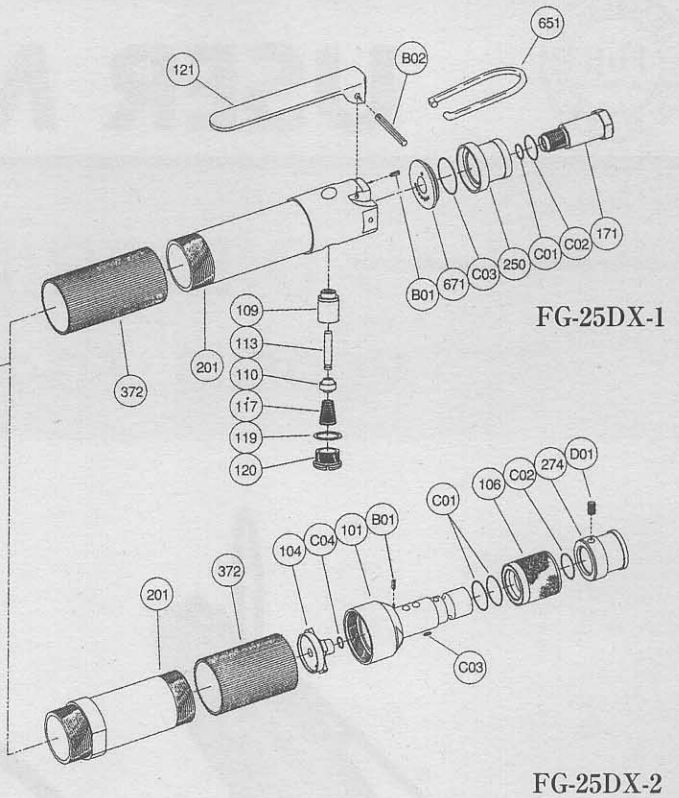
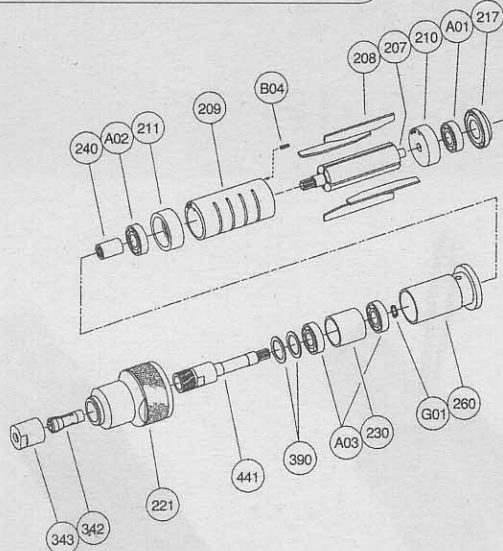
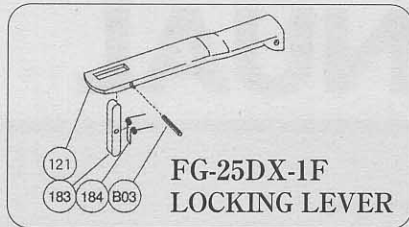
Tel : (06) 6972-2335

Fax : (06) 6972-2250



PARTS LIST MODEL : FG-25DX-1, -1F, -2

EXPLODED VIEW



PARTS LIST

Index No.	Parts No.	Parts Name	Qt.	Index No.	Parts No.	Parts Name	Qt.	Index No.	Parts No.	Parts Name	Qt.				
FG-25DX-1															
Ass'y No.	G-141006-00	Housing Ass'y		671	G-140671-00	Exhaust Cover Joint	1	211	G-108211-00	Cylinder Lower Plate	1				
117	G-105117-00	Throttle Valve Spring	1	B01	SP-2.56	Spring Pin	1	217	G-141217-00	Bearing Cover	1				
119	G-028119-00	T.V.Cover Packing	1	B02	SP-322	Spring Pin	1	221	G-141221-00	Spindle Bearing Cover	1				
120	G-028120-00	Throttle Valve Cover	1	C01	O-S10	"O" Ring	1	230	G-106230-00	Bearing Spacer (B)	1				
121	W-100121-00	Throttle Valve Lever	1	C02	O-S16	"O" Ring	1	240	G-105240-00	Coupling	1				
171	W-100171-00	Inlet Joint (PT)	1	C03	O-S28	"O" Ring	1	260	G-108260-00	Bearing Case	1				
	W-100171-01	Inlet Joint (NPT)	1	Ass'y No.	G-028008-00	Throttle Valve Rod Ass'y		342	G-028342-07	Collet (6mm)	1				
201	G-141006-50	Housing	1	110	H-001110-02	Throttle Valve	1	343	G-105343-00	Collet Nut	1				
(109)	G-106109-00	Throttle Valve Bushing	1	113	G-028113-00	Throttle Valve Rod	1	372	G-108372-00	Plastic Cover	1				
250	G-140250-00	Exhaust Cover	1	Ass'y No.	G-143019-01	Locking Lever Ass'y		390	G-143390-00	Seal Ring	2				
671	G-140671-00	Exhaust Cover Joint	1	121	G-143121-01	Throttle Valve Lever	1	441	G-106441-00	Spindle (B)	1				
B01	SP-2.56	Spring Pin	1	183A	G-144183-02	Lock Key	1	651	W-100651-00	Hanger (For FG-25DX-1, -1F)	1				
B02	SP-322	Spring Pin	1	184	G-144184-00	Lock Spring	1	A01	BB-606	Ball Bearing	1				
C01	O-S10	"O" Ring	1	B03	SP-218	Spring Pin	1	A02	BB-627	Ball Bearing	1				
C02	O-S16	"O" Ring	1	FG-25DX-2											
C03	O-S28	"O" Ring	1	Ass'y No.	G-137001-00	"R" Housing Cover Ass'y		A03	BB-608MN	Ball Bearing	2				
Ass'y No.	G-028008-00	Throttle Valve Rod Ass'y		101	G-137101-00	Housing Cover	1	G01	SR-S6	Snap Ring	1				
110	H-001110-02	Throttle Valve	1	(B01)	SP-26	Spring Pin	1	It is common with FG-25DX-1, -1F excluding the undermentioned parts.							
113	G-028113-00	Throttle Valve Rod	1	106	G-137106-00	Throttle Valve Handle	1	FG-25DX-2							
FG-25DX-1F															
Ass'y No.	G-141006-01	Housing Ass'y		274	A-127274-00	Exhaust Hose Joint	1	104	G-147104-00	Bushing	1				
117	G-105117-00	Throttle Valve Spring	1	C01	O-P20	"O" Ring	2	201	G-168201-00	Housing	1				
119	G-028119-00	T.V.Cover Packing	1	C02	O-S18	"O" Ring	1	217	G-144217-00	Bearing Cover	1				
120	G-028120-00	Throttle Valve Cover	1	C03	O-4	"O" Ring	1	372	G-168372-00	Plastic Cover	1				
171	W-100171-00	Inlet Joint (PT)	1	D01	SS-58D	Set Screw	1	C04	O-P7	"O" Ring	1				
	W-100171-01	Inlet Joint (NPT)	1	OPTIONAL PARTS											
201	G-141006-50	Housing	1	207	G-108207-00	Rotor	1	342	G-028342-08	Collet (3mm)	1				
(109)	G-106109-00	Throttle Valve Bushing	1	208	G-108208-00	Roter Blade	4		G-028342-04	Collet (1/8)	1				
250	G-140250-00	Exhaust Cover	1	209	G-108209-00	Cylinder	1		G-028342-06	Collet (1/4)	1				
FG-25DX-1, -1F															
				(B04)	SP-26	Spring Pin	1		G-028342-05	Collet (3/16)	1				
				210	G-108210-00	Cylinder Upper Plate	1								

- Ass'y No. denotes the assembled parts comprising of more than 1 pc. of parts.
 Standard Accessories : F-104.....12mm Hex. Open-End Wrench 1.
 F-105.....14mm Hex. Open-End Wrench 1.
 EH-50A.....Exhaust Hose 1.
 IH-8B.....Inlet Hose 1.
- #101,201 and 209 are supplied together with parts shown in ().
 Specify parts number and quantity in ordering.