



FUJI

ユーザーズ マニュアル USERS' MANUAL

WELCOME TO FUJI

ANGLE GRINDERS

PAT.

MODELS: FA-7C SERIES



LEVER THROTTLER AND
MALE SPINDLE TYPE



ROLL THROTTLER AND
FEMALE SPINDLE TYPE

CAUTION

Before operating, make sure that a grinding wheel is satisfactory and that the wheel guard is mounted in the right position and avoid dropping and bumping machine.

LUBRICATION

After each two or three hours of operation, squirt a few drops of oil into the air inlet unless an air line lubricator is used.

○ The grinding wheels shown above are optional equipments.

SPECIFICATIONS

Model	Throttle Type	Max. Dia (mm)			Free Speed (about) R.P.M.	Spindle Thread Size in	Angle Head Height (about) mm	Overall Length (about)		Weight (about) kg	Air Inlet Thread Size PT or NPT	Air Hose Size	
		Grinding Wheel	Sanding Disc	Wire Brush				mm	in			mm	in
FA-7C-4	Roll	180×6×22.2	180	100	7,000	1/2-16 (F)	89	264	10 3/4	3.4	3/8	12.7	1/2
FA-7C-4M	Lever	180×6×22.2	180	100	7,000	1/2-16 (F)	89	360	14 1/4	3.5	3/8	12.7	1/2
FA-7C-1	Roll	180×6×22.2	—	—	7,600	1/2-16 (F)	89	264	10 3/4	3.4	3/8	12.7	1/2
FA-7C-1M	Lever	180×6×22.2	—	—	7,600	1/2-16 (F)	89	360	14 1/4	3.5	3/8	12.7	1/2
FA-7C-5	Roll	180×6×22.2	—	—	8,400	1/2-16 (F)	89	264	10 3/4	3.4	3/8	12.7	1/2
FA-7C-5M	Lever	180×6×22.2	—	—	8,400	1/2-16 (F)	89	360	14 1/4	3.5	3/8	12.7	1/2
FA-7C-3	Roll	180×6×22.2	180	100	7,000	3/8-11 (M)	107	264	10 3/4	3.4	3/8	12.7	1/2
FA-7C-3M	Lever	180×6×22.2	180	100	7,000	3/8-11 (M)	107	360	14 1/4	3.5	3/8	12.7	1/2
FA-7C-10	Roll	180×6×22.2	—	—	7,600	3/8-11 (M)	107	264	10 3/4	3.4	3/8	12.7	1/2
FA-7C-10M	Lever	180×6×22.2	—	—	7,600	3/8-11 (M)	107	360	14 1/4	3.5	3/8	12.7	1/2
FA-7C-7	Roll	180×6×22.2	—	—	8,400	3/8-11 (M)	107	264	10 3/4	3.4	3/8	12.7	1/2
FA-7C-7M	Lever	180×6×22.2	—	—	8,400	3/8-11 (M)	107	360	14 1/4	3.5	3/8	12.7	1/2

○ The recommended air pressure is 6 kg/cm² (85 lb/in²).

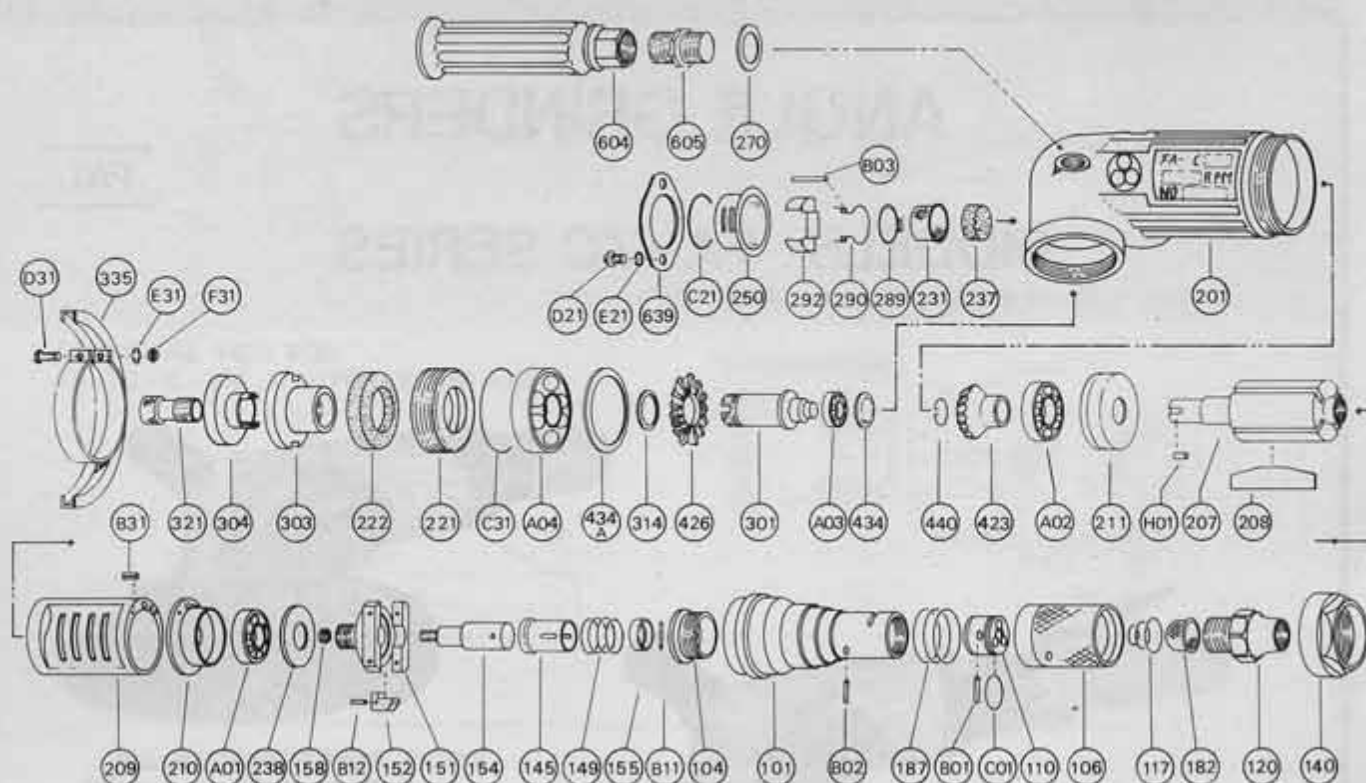
○ Standard equipments: FA-7C-4, -4M, -1, -1M, -5 and -5M.....Open-End Wrench 1, Hex. Pin Wrench 1.

FA-7C-3, -3M, -10, -10M, -7 and -7M.....Open-End Wrench 1, Open-End Pin Wrench 1. and Hex. Wrench 1.

○ The models are supplied for use of Grinding Wheel. When the models are used with Sanding Disc or Wire Brush, the parts necessary to mount them on the models are necessary. Order separately.

○ Mark (F) in the column of Spindle Thread Size means Female Spindle and Mark (M) Male Spindle.

EXPLODED VIEW FOR FA-7C-1, -4 AND -5



PART LIST : FA-7C SERIES

Index No.	Part No.	Part Name
ROLL HANDLE PART		
CP No.	A-077001-01	Housing Cover CP
101	A-077101-03	Housing Cover
104	A-077104-01	Bushing
106	A-077106-03	Throttle Valve Handle
110	A-077110-00	Throttle Valve
117	A-077117-00	Throttle Valve Spring
120	A-077120-00	Throttle Valve Cover (PT)
120	A-077120-01	Throttle Valve Cover (NPT)
182	W-057182-00	Strainer
187	A-077187-01	Throttle Valve Handle Spring
B01	NR-415	Needle Roller
B02	NR-413	Needle Roller
C01	O-S22	"O" Ring
LEVER HANDLE PART		
CP No.	A-109001-00	Housing Cover CP
101	A-109101-00	Housing Cover
140	A-077140-00	Cup Nut
257	A-109257-00	Washer
C05	O-S34	"O" Ring

Index No.	Part No.	Part Name
D02	CS-518	Cap Screw (2)
E02	SW-5	Spring Washer (2)
THROTTLE VALVE BODY CP		
CP No.	A-096003-00	Throttle Valve Body CP
108	A-096108-00	Throttle Valve Body
117	A-078117-01	Throttle Valve Spring
121	A-078121-00	Throttle Valve Lever
129	A-078129-00	Throttle Valve Rod Bushing
171	IB-6N30S0	Inlet Bushing (PT)
171	IB-6N3NS0	Inlet Bushing (NPT)
183	A-078183-01	Safety Lock
184	A-078184-00	Safety Lock Spring
B03	GP-520GCH	Grooved Pin
D71	SS-48	Set Screw
THROTTLE VALVE ROD CP		
CP No.	A-078008-00	Throttle Valve Rod CP
110	A-078110-01	Throttle Valve
111	A-078111-01	Throttle Valve Washer
113	A-078113-01	Throttle Valve Rod
195	W-080195-00	Sub Throttle Valve

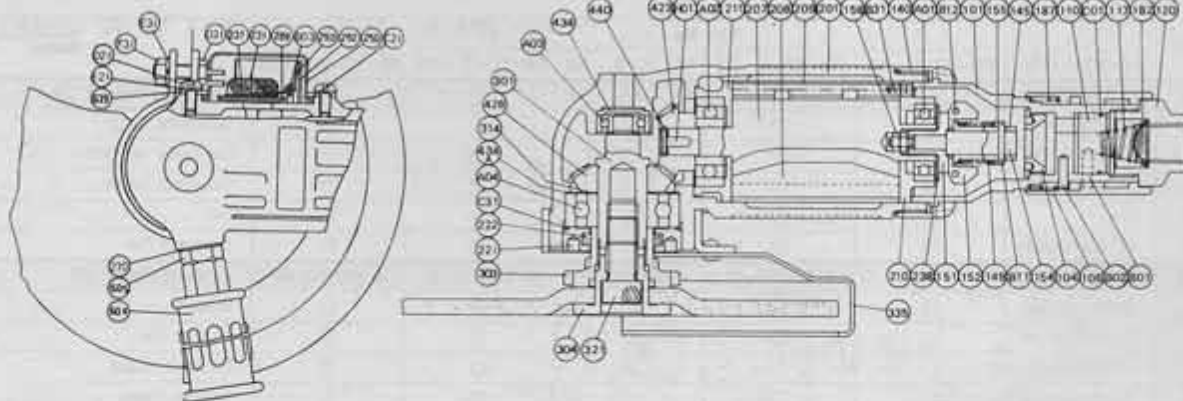
All of above parts can be used interchangeable on the all the models.

- The letters CP in the Index No. column represent assembled parts. The parts which form CP are shown in the thick square line.
- Mark O in the Part No. and the Part Name column shows that the same part shown in the left column is used.
- The parenthesized figure in the Part Name column shows the number of required quantity.
- The parenthesized part is supplied together when the part which is shown above the parenthesized part is ordered. The parenthesized part is available separately when it is ordered.

PART LIST : FA-7C SERIES

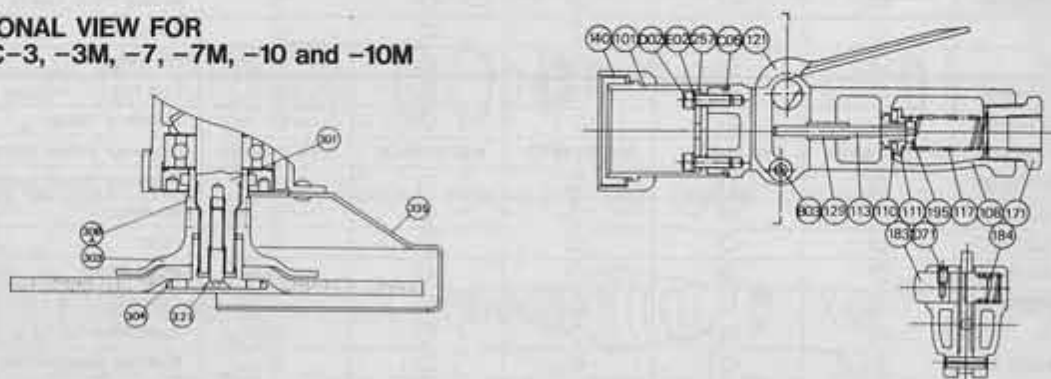
Index No.	Part No.						Part Name
	FA-7C-1, -1M	FA-7C-4, -4M	FA-7C-5, -5M	FA-7C-3, -3M	FA-7C-7, -7M	FA-7C-10, -10M	
CP No.	A-109010-00	○	○	○	○	○	Governor Weight CP
151	A-109151-00	○	○	○	○	○	Governor Cage
152	G-053152-00	○	○	○	○	○	Governor Weight (2)
154	A-109154-00	○	○	○	○	○	Governor Shaft
158	N-4	○	○	○	○	○	Nut (2)
B12	GP-2.524GCH	○	○	○	○	○	Grooved Pin (2)
CP No.	A-109012-00	○	A-109012-01	A-109012-00	A-109012-01	A-109012-00	Exhaust Cover CP
231	W-014182-00	○	○	○	○	○	Strainer
237	A-078237-00	○	○	○	○	○	Muffler Pad
250	A-109250-00	○	○	○	○	○	Exhaust Cover
289	A-093289-00	○	○	○	○	○	Muffler Plate
290	A-109290-00	○	A-109290-01	A-109290-00	A-109290-01	A-109290-00	Muffler Spring
292	A-109292-00	○	○	○	○	○	Muffler Plate Holder
B03	SP-325	○	○	○	○	○	Spring Pin
C21	O-S46	○	○	○	○	○	"O" Ring
140	A-077140-00	○	○	○	○	○	Cup Nut
145	A-077145-00	○	○	○	○	○	Governor Valve
149	A-077149-00	A-077149-03	A-077149-01	A-077149-03	A-077149-01	A-077149-00	Governor Valve Spring
155	A-069155-00	○	○	○	○	○	Governor Valve Spring Holder
201	A-109201-00	○	○	○	○	○	Housing
207	A-109207-00	○	○	○	○	○	Rotor
208	A-109208-00	○	○	○	○	○	Rotor Blade (4)
209	A-077209-00	○	○	○	○	○	Cylinder
IB31	SP-38	○	○	○	○	○	Spring Pin
210	A-109210-00	○	○	○	○	○	Cylinder Upper Plate
211	A-109211-00	○	○	○	○	○	Cylinder Lower Plate
221	A-096221-00	○	○	○	○	○	Spindle Bearing Cover
222	A-025222-00	○	○	○	○	○	Felt Ring
238	A-109238-00	○	○	○	○	○	Bearing Cover B
270	H-001270-00	○	○	○	○	○	Conical Spring Washer
301	A-077301-00	○	○	A-109301-00	○	○	Wheel Spindle
303	A-097303-00	○	○	A-041303-A	○	○	Wheel Flange A
304	A-097304-00	○	○	A-100304-02	○	○	Wheel Flange B
308A				A-096308-00	○	○	Spacer
314	A-109314-00	○	○	○	○	○	Wheel Spindle Washer
321	A-029321-C	○	○	CS-635S	○	○	Detent Bolt
335	A-097335-00	○	○	A-041335-01	○	○	Wheel Guard
335	A-097335-01	○	○	A-041335-02	○	○	Wheel Guard (Hooded Type)
D31	HS-620	○	○	○	○	○	Bolt
E31	SW-6	○	○	○	○	○	Spring Washer
F31	N-6	○	○	○	○	○	Nut
423	A-109423-00	○	○	○	○	○	Bevel Pinion
426	A-109426-00	○	○	○	○	○	Bevel Gear
434	D-008436-00	○	○	○	○	○	Bearing Holder
434A	A-025434-00	○	○	○	○	○	Bearing Washer
440	A-109440-00	○	○	○	○	○	Ring
604	A-025604-02	○	○	○	○	○	Dead Handle
605	A-025605-00	○	○	○	○	○	Dead Handle Joint
639	A-109639-00	○	○	○	○	○	Exhaust Cover Holder
A01	BB-6002MN	○	○	○	○	○	Ball Bearing
A02	BB-6301	○	○	○	○	○	Ball Bearing
A03	BB-608	○	○	○	○	○	Ball Bearing
A04	BB-6204	○	○	○	○	○	Ball Bearing
B11	NR-2.516	○	○	○	○	○	Needle Roller
C31	O-S44	○	○	○	○	○	"O" Ring
D21	CS-510B	○	○	○	○	○	Bottom Head Cap Screw (2)
E21	SW-5	○	○	○	○	○	Spring Washer (2)
H01	K-4410F	○	○	○	○	○	Key
OPTIONAL PART							
274	A-109274-00	○	○	○	○	○	Exhaust Hose Joint
250-1	A-109250-01	○	○	○	○	○	Exhaust Cover
639	A-109639-01	○	○	○	○	○	Exhaust Cover Holder
C21	O-P44	○	○	○	○	○	"O" Ring
C22	O-P16	○	○	○	○	○	"O" Ring

SECTIONAL VIEW FOR FA-7C-1, -4 and -5



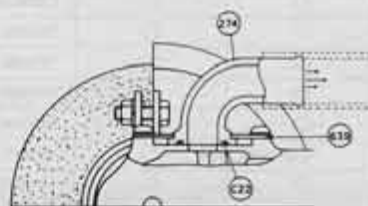
SECTIONAL VIEW FOR LEVER HANDLE PART

SECTIONAL VIEW FOR FA-7C-3, -3M, -7, -7M, -10 and -10M

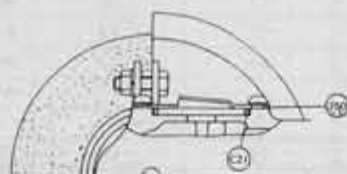


OPTIONAL PARTS

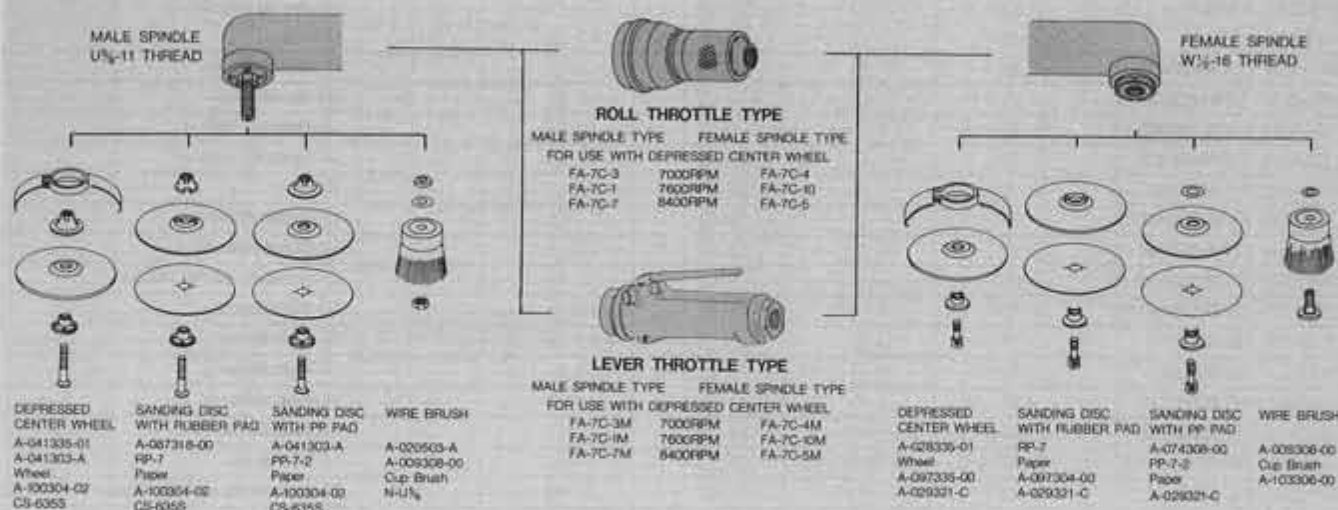
EXHAUST HOSE JOINT



EXHAUST COVER WITHOUT SILENCER



COMBINATIONS



Specifications, standard equipments, designs and parts in this leaflet are subject to change without notice.

PRINTED IN JAPAN



FUJI AIR TOOLS CO., LTD.

1-14, Kamiji 2-chome, Higashinari-ku, Osaka, 537 Japan

Telephone : (06) 972-2335

Telex : 5298510 FUJIAT J

Facsimile : (06) 972-2250

Cable Address : "FUJI AIR TOOLS" OSAKA