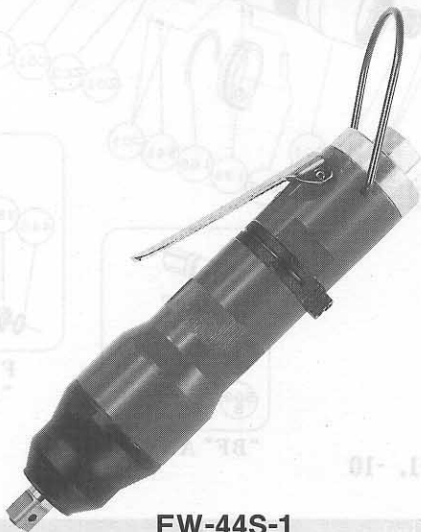




# USER MANUAL

## IMPACT WRENCHES

MODELS : FW-44S-1, 44SD-1, -10



FW-44S-1



FW-44SD-1, -10

(BIT SIZE)

	FW-44SD-1	FW-44SD-10
	A : 9.5mm	A : 13mm
	B : 12mm	B : 16mm

### SPECIFICATIONS

Model	Capacity Screw size (Guidance)		Free Speed (about)	Side to Center (about)		Square Drive Size		Bit Shank Size		Overall Length (without socket) (about)		Mass (without socket) (about)		Air Consumption Under Load (about)		Air Inlet Thread Size	Air Hose Size	
	mm	in		rpm	mm	in	mm	in	mm	in	mm	in	kg	lb	Nm <sup>3</sup> /min		Nft <sup>3</sup> /min	PT or NPT
FW-44S-1	5	3/16	7,500	18	45/64	9.5	3/8	—	—	197	7 3/4	0.66	1.46	0.47	16.6	1/4"	6.3	1/4
FW-44SD-1	5	3/16	7,500	18	45/64	—	—	6.35	1/4	207	8 9/64	0.66	1.46	0.47	16.6	1/4"	6.3	1/4
FW-44SD-10	5	3/16	7,500	18	45/64	—	—	6.35	1/4	207	8 9/64	0.66	1.46	0.47	16.6	1/4"	6.3	1/4

The performance figures are at 0.63MPa (6.3bar).

Refer to "The Instructions and Warning for Safety Use" enclosed in each tool box.

## FUJI AIR TOOLS CO., LTD.

1-14, Kamiji 2-chome, Higashinariku,  
Osaka, 537-0003 Japan  
Tel : (06) 972-2335  
Fax : (06) 972-2250

BOLT & NUT SETTERS  
SCREW DRIVERS

ABRASIVE TOOLS

DRILL · STAPPERS

PERCUSSION TOOLS

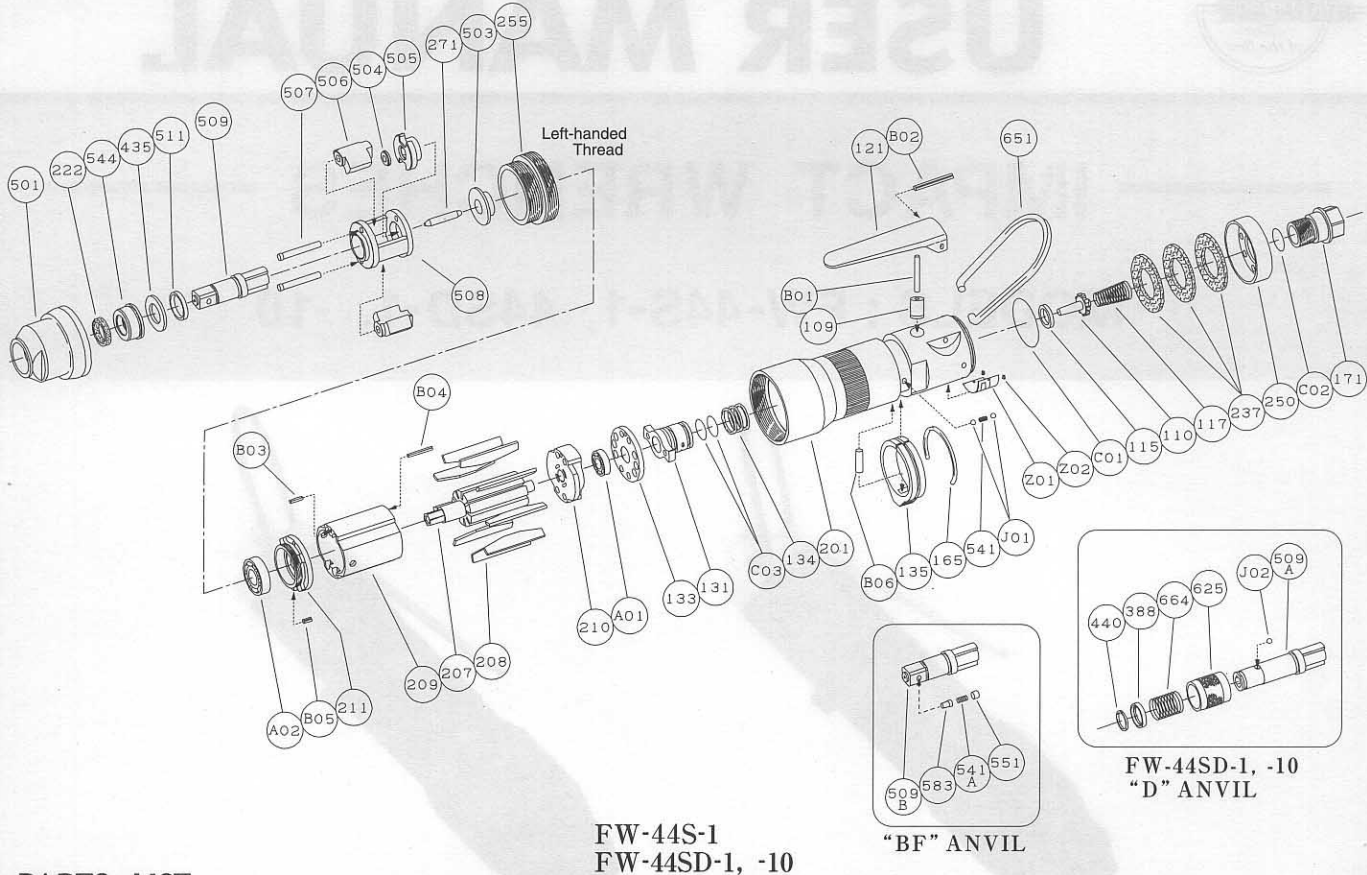
AIR MOTORS & OTHERS

OTHER PRODUCTS



# PARTS LIST MODEL: FW-44S-1, FW-44SD-1, -10

## EXPLODED VIEW



FW-44S-1  
FW-44SD-1, -10

## PARTS LIST

Index No.	Parts No.	Parts Name	Qt.
FW-44S-1 FW-44SD-1, -10			
CP No.	W-318006-01	Housing CP	
109	W-299109-00	Throttle Valve Bushing	1
110	W-299110-00	Throttle Valve	1
115	W-299115-00	Throttle Valve Sheet	1
117	D-001117-00	Throttle Valve Spring	1
121	M-073121-00	Throttle Valve Lever	1
171	W-299171-00	Inlet Bushing (PT)	1
171	W-299171-01	Inlet Bushing (NPT)	1
201	W-318201-01	Housing	1
237	W-299237-00	Muffler Pad	3
250	W-299250-00	Exhaust Cover	1
B01	NR-321FR	Needle Roller	1
B02	SP-325	Spring Pin	1
C01	O-S28F	"O" Ring	1
CP No.	W-306013-01	Clutch Housing CP	
222	W-242222-00	Felt Ring	1
501	W-318501-00	Clutch Housing	1
544	W-215544-01	Clutch Housing Bushing	1
131	W-299131-00	Reverse Valve	1
133	W-299133-00	Reverse Valve Sheet	1
134	W-299134-00	Reverse Valve Spring	1
135	W-216135-00	Reverse Valve Lever	1
165	W-216165-00	Stop Ring	1
207	W-306207-00	Rotor	1
208	W-289208-00	Rotor Blade	9
209	W-297209-00	Cylinder	1
(B03)	SP-28	Spring Pin	1
(B04)	SP-216	Spring Pin	1
210	W-299210-00	Cylinder Upper Plate	1
211	W-297211-00	Cylinder Lower Plate	1
(B05)	SP-2.55	Spring Pin	1
255	W-318255-00	Motor Fastening Nut	1
271	W-191271-00	Rotor Pin	1
435	W-306435-00	Thrust Washer	1
503	W-306503-00	Spacer (B)	1
504	W-306504-00	Spacer (C)	1

Index No.	Parts No.	Parts Name	Qt.
505	W-306505-00	Cam	1
506	W-215506-01	Hammer Clutch	2
507	W-067507-00	Clutch Pin	2
508	W-215508-01	Clutch Frame	1
509B	W-306509-03	Anvil (B)	1
(541A)	W-252541-00	Button Retainer Spring (F)	1
(551)	W-252551-00	Plug	1
583	W-252583-00	Retainer Button (F)	1
511	W-215511-00	Clutch Frame Bushing	1
541	W-252541-00	Button Retainer Spring (F)	1
651	W-225651-00	Hanger	1
A01	BB-EE2	Ball Bearing	1
A02	BB-EE3	Ball Bearing	1
B06	NR-413.5	Needle Roller	1
C02	O-S12.5	"O" Ring	1
C03	O-S12.5	"O" Ring	2
J01	B-3	Ball	2
Z01	NP-1000	Name Plate	1
Z02	NPN-0×3.2	Screw Rivet	2

### OPTIONAL PART "P" ANVIL

509	W-306509-02	Anvil (P)	1
FW-44SD-1			
201	W-318201-00	Housing	1
388	W-305388-00	Spring Holder	1
440	W-305440-00	Ring	1
509A	W-306509-00	Anvil	1
625	W-305625-00	Bit Cover	1
664	W-305664-00	Finder Spring	1
J02	B-3	Ball	1
FW-44SD-10			
201	W-318201-00	Housing	1
388	W-305388-00	Spring Holder	1
440	W-305440-00	Ring	1
509A	W-306509-01	Anvil	1
625	W-305625-00	Bit Cover	1
664	W-305664-00	Finder Spring	1
J02	B-3	Ball	1

□ CP No. denotes the assembled parts comprising of more than 1 pc. of parts.  
The related parts are shown in the thick frame.

□ #209, 211 and 509B are supplied together with parts shown in ( ).  
□ Specify parts number and quantity in ordering.