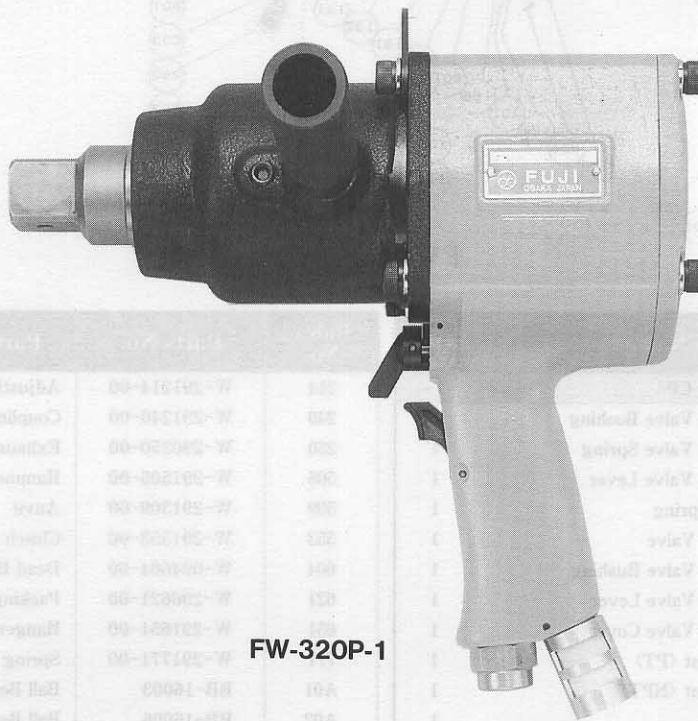




# USER MANUAL

## IMPACT WRENCH

MODELS : FW-320P-1



FW-320P-1

### SPECIFICATIONS

Model	Capacity Bolt size (Guidance)		Free Speed (about) rpm	Side to Center (about)		Square Drive Size		Overall Length (without socket) (about)		Weight (without socket) (about)		Air Consumption Under Load (about)		Air Inlet Thread Size PT or NPT	Air Hose Size	
	mm	in		mm	in	mm	in	mm	in	kg	lb	m <sup>3</sup> /min	ft <sup>3</sup> /min		mm	in
FW-320P-1	33	1 1/4	4,800	43.5	1 23/32	25.4	1	268	10 35/64	8.0	17.6	1.00	35.3	1/2	12.7	1/2

The performance figures are at 6.2 bar.

**⚠** Refer to instructions and warning for safety use enclosed in each tool box.

## FUJI AIR TOOLS CO., LTD.

1-14, Kamiji 2-chome, Higashinari-ku, Osaka 537, Japan  
 Tel : (06) 972-2335  
 Fax : (06) 972-2250

BOLT & NUT SETTERS  
SCREW DRIVERS

ABRASIVE TOOLS

DRILLS · TAPPERS

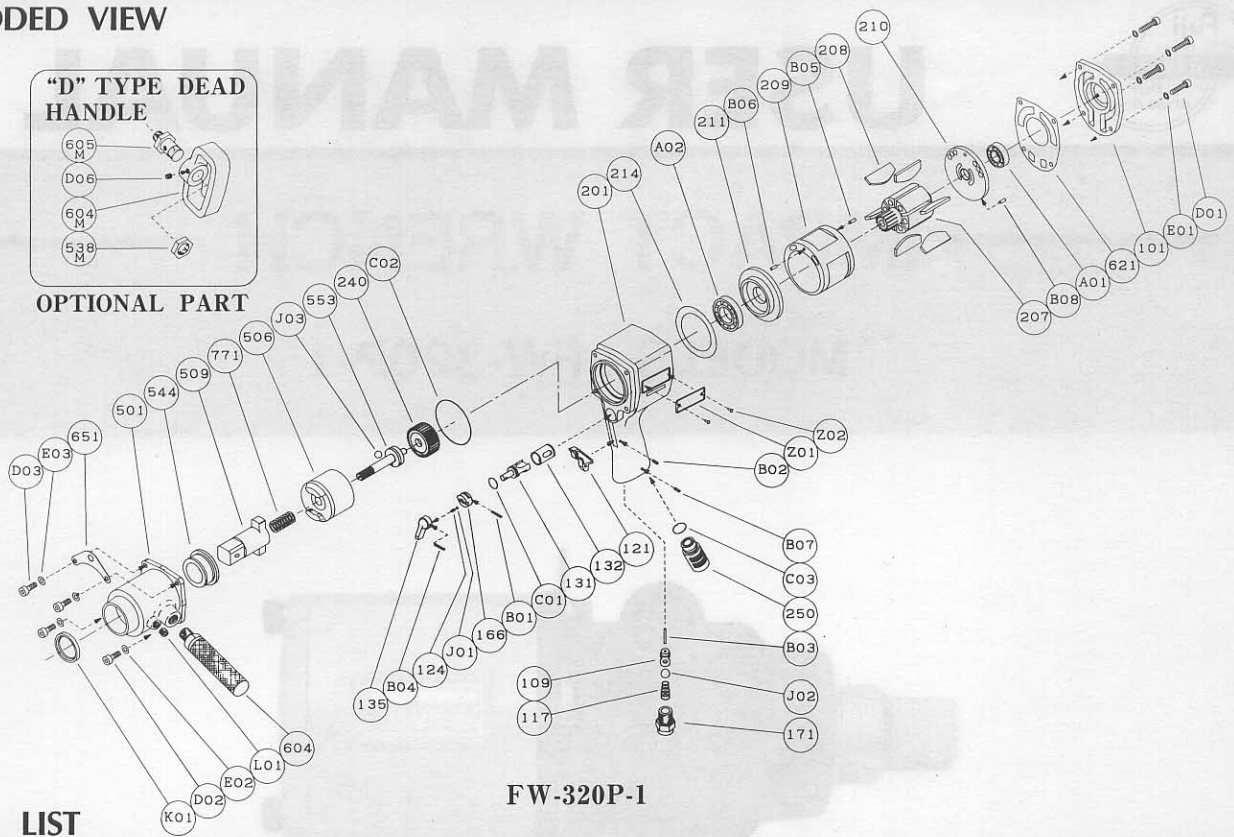
PERCUSSION TOOLS

AIR MOTORS & OTHERS

OTHER PRODUCTS

# PARTS LIST MODEL: FW-320P-1

## EXPLODED VIEW



FW-320P-1

## PARTS LIST

Index No.	Parts No.	Parts Name	Qt.	Index No.	Parts No.	Parts Name	Qt.
<b>CP No.</b>	<b>W-296006-00</b>	<b>Housing CP</b>		214	W-291214-00	Adjusting Washer	1
109	W-290109-00	Throttle Valve Bushing	1	240	W-291240-00	Coupling	1
117	W-290117-00	Throttle Valve Spring	1	250	W-290250-00	Exhaust Cover	1
121	W-252121-00	Throttle Valve Lever	1	506	W-291506-00	Hammer Clutch	1
124	G-005124-00	Knock Spring	1	509	W-291509-00	Anvil	1
131	W-260131-00	Reverse Valve	1	553	W-291553-00	Clutch Shaft	1
132	W-260132-00	Reverse Valve Bushing	1	604	W-094604-00	Dead Handle	1
135	W-225135-00	Reverse Valve Lever	1	621	W-296621-00	Packing (A)	1
166	W-290166-00	Reverse Valve Cover	1	651	W-291651-00	Hanger	1
171	W-290171-00	Inlet Joint (PT)	1	771	W-291771-00	Spring	1
171	W-290171-01	Inlet Joint (NPT)	1	A01	BB-16003	Ball Bearing	1
201	W-296201-00	Housing	1	A02	BB-16006	Ball Bearing	1
B01	SP-225	Spring Pin	1	B07	SP-326	Spring Pin	1
B02	SP-318	Spring Pin	1	B08	SP-38	Spring Pin	1
B03	NR-326FR	Needle Roller	1	C02	O-585	"O" Ring	1
B04	SP-318	Spring Pin	1	C03	O-S18	"O" Ring	1
C01	O-S14	"O" Ring	1	D01	CS-830	Cap Screw	4
J01	B-3	Ball	1	D02	CS-825	Cap Screw	2
J02	B-1/2	Ball	1	D03	CS-828	Cap Screw	2
<b>CP No.</b>	<b>W-291013-00</b>	<b>Clutch Housing CP</b>		E01	SW-8	Spring Washer	4
501	W-291501-00	Clutch Housing	1	E02	SW-8	Spring Washer	2
544	W-266544-00	Clutch Housing Bushing	1	E03	SW-8	Spring Washer	2
K01	OS-VB42556	Oil Seal	1	J03	B-3/8	Ball	1
L01	PL-1/8	Plug	1	Z01	NP-3019	Name Plate	1
101	W-296101-00	Housing Cover	1	Z02	NPN-OX3.2	Screw Rivet	2
207	W-291207-00	Rotor	1	<b>OPTIONAL PART</b>			
208	W-291208-00	Rotor Blade	6	<b>CP No.</b>	<b>W-014014-00</b>	<b>"D" Type Dead Handle CP</b>	
209	W-291209-00	Cylinder	1	538M	W-014538-M	Exllagon Nut (B)	1
(B05)	SP-412	Spring Pin	1	604M	W-014604-M	Dead Handle	1
(B06)	SP-412	Spring Pin	1	605M	W-014605-M	Dead Handle Joint	1
210	W-291210-00	Cylinder Upper Plate	1	D06	SS-810C	Set Screw (Cone Point)	1
211	W-291211-00	Cylinder Lower Plate	1				

CP No. denotes the assembled parts comprising of more than 1 pc. of parts.

The related parts are shown in the thick frame.

#209 is supplied together with parts shown in ( ).

Specify parts number and quantity in ordering.

■ Standard Accessory : F-705.....5Hex Hex. Pin Wrench I.