



USER MANUAL

IMPACT WRENCHES

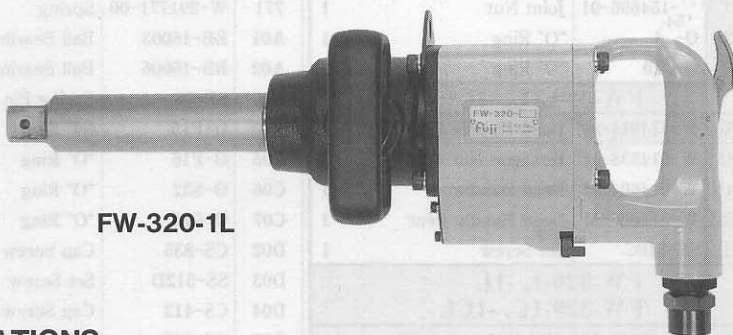
MODELS : FW-320-1, -1C, -1L, -1CL



FW-320-1



FW-320-1C
FW-320-1CL



FW-320-1L

SPECIFICATIONS

Model	Capacity Bolt size (Guidance)		Free Speed (about) rpm	Side to Center (about) mm		Square Drive Size mm		Overall Length (without socket) (about) mm		Weight (without socket) (about) kg		Air Consumption Under Load (about) m ³ /min		Air Inlet Thread Size PT or NPT	Air Hose Size mm	
	mm	in		mm	in	mm	in	mm	in	kg	lb	m ³ /min	ft ³ /min		mm	in
FW-320-1	33	1 1/4	4,800	43.5	1 23/32	25.4	1	353	14 29/32	8.7	19.2	1.00	35.3	1/2	12.7	1/2
FW-320-1C	33	1 1/4	4,800	43.5	1 23/32	25.4	1	353	14 29/32	8.7	19.2	1.00	35.3	1/2	12.7	1/2
FW-320-1L	33	1 1/4	4,800	43.5	1 23/32	25.4	1	484	19 1/16	10.0	22.0	1.00	35.3	1/2	12.7	1/2
FW-320-1CL	33	1 1/4	4,800	43.5	1 23/32	25.4	1	484	19 1/16	10.0	22.0	1.00	35.3	1/2	12.7	1/2

The performance figures are at 6.3 bar.

⚠ Refer to instructions and warning for safety use enclosed in each tool box.

FUJI AIR TOOLS CO., LTD.

1-14, Kamiji 2-chome, Higashinari-ku, Osaka 537, Japan
 Tel : (06) 972-2335
 Fax : (06) 972-2250

BOLT & NUT SETTERS
SCREW DRIVERS

ABRASIVE TOOLS

DRILLS · TAPPERS

PERCUSSION TOOLS

AIR MOTORS & OTHERS

OTHER PRODUCTS

