



# USER MANUAL

## PNEUPULSE

MODELS : FPW-660-4, -660D-4, -660D-40



FPW-660-4



FPW-660D-4, -40

<BIT SIZE>

BIT SIZE : 6.35 (1/4") Hex.	FPW-660D-4	FPW-660D-40
	A : 9.5mm	A : 13mm
	B : 12mm	B : 16mm

### SPECIFICATIONS

Model	Capacity Bolt Size (Guidance)		Adjustable Torque Range			Free Speed	Side to Center		Square Drive Size		Bit shank Size		Overall Length (without socket)		Mass (without socket)		Air Consumption Under Load	
	mm	in	N·m	kgf·m	ft·lb	min <sup>-1</sup>	mm	in	mm	in	mm	in	mm	in	kg	lb	Nm <sup>3</sup> /min	Nft <sup>3</sup> /min
FPW-660-4	6~8	1/4~5/16	34~54	3.4~5.5	25~40	6,400	23	29/32	9.5	3/8	—	—	158	6 27/64	1.0	2.2	0.5	17.7
FPW-660D-4	6~8	1/4~5/16	25~37	2.5~3.8	18~27	6,400	23	29/32	—	—	6.35	1/4	163	6 27/64	1.0	2.2	0.5	17.7
FPW-660D-40	6~8	1/4~5/16	25~37	2.5~3.8	18~27	6,400	23	29/32	—	—	6.35	1/4	163	6 27/64	1.0	2.2	0.5	17.7

Air Hose Size: 9.5mm (3/8")  
Air Inlet Thread Size: 1/4" (PT or NPT)

The performance figures are at 0.63MPa (6.3bar).

⚠ Refer to "The Instructions and Warning for Safety Use" enclosed in each tool box.

## FUJI AIR TOOLS CO., LTD.

2-1-14 Kamiji, Higashinariku, Osaka, 537-0003 Japan

Tel : (06) 6972-2335

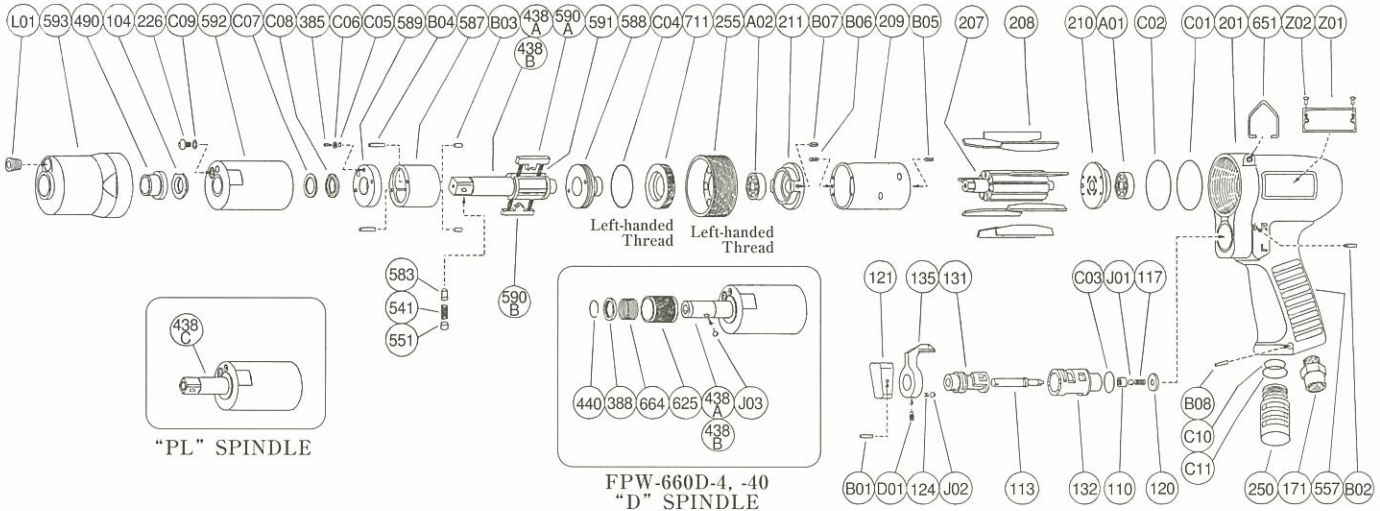
Fax : (06) 6972-2250

E-mail: overseas@fujiair.co.jp



# PARTS LIST MODEL: FPW-660-4, -660D-4, -40

## EXPLODED VIEW



## PARTS LIST

FPW-660-4  
FPW-660D-4, -40

Index No.	Parts No.	Parts Name	Qt.	Index No.	Parts No.	Parts Name	Qt.	Index No.	Parts No.	Parts Name	Qt.
<b>FPW-660-4</b>											
<b>FPW-660D-4, -40</b>											
CP No.	W-276006-13	Housing CP		A02	BB-EE3	Ball Bearing	1	591	W-254591-00	Blade Spring	2
110	W-276110-01	Throttle Valve	1	B08	SP-320	Ball Bearing	1	592	W-254592-00	Cylinder Case	1
113	W-276113-01	Throttle Valve Rod	1	C10	O-S14	Spring Pin	1	711	W-254711-00	Cylinder Cover	1
117	W-276117-00	Throttle Valve Spring	1	C11	O-S15	" O " Ring	1	B03	NR-2.56	Needle Roller	2
120	W-276120-01	Throttle Valve Cover	1	J03	B-3	Ball (For FPW-660D-4, -40)	1	B04	NR-2.512	Needle Roller	2
121	W-254121-00	Throttle Valve Lever	1	Z01	NP-1055	Name Plate (For FPW-660-4)	1	C04	O-S27.5F (H)	" O " Ring	1
124	W-254124-00	Knock Spring	1	Z01	NP-1056	Name Plate (For FPW-660D-4, -40)	1	C05	O-S2F (H)	" O " Ring	1
131	W-276131-00	Reverse Valve	1	Z02	NPN-0×3.2	Screw Rivet	2	C06	BR-S2.5FT2	Back Up Ring	1
132	W-276132-01	Reverse Valve Bushing	1	<b>FPW-660-4</b>							
135	W-254135-00	Reverse Valve Lever	1	CP No.	W-276021-08	Oil Cylinder CP (BL)		C07	BR-112	Back UP Ring	1
171	W-276171-00	Inlet Bushing (PT)	1	104	W-254104-00	Bushing	1	C08	O-KX12 (H)	" X " Ring	1
171	W-276171-01	Inlet Bushing (NPT)	1	226	W-184226-00	Oil Plug	1	C09	O-S3 (H)	" O " Ring	1
201	W-276201-07	Housing	1	385	W-254385-00	Adjusting Screw	1	<b>FPW-660D-40</b>			
B01	SP-212	Spring Pin	1	438	W-276438-07	Spindle (BL)	1	CP No.	W-276021-06	Oil Cylinder CP (D)	
B02	GP-220GLC	Grooved Pin	1	541	W-254541-00	Button Retainer Spring (F)	1	104	W-254104-00	Bushing	1
C01	O-S34	" O " Ring	1	551	W-252551-00	Plug	1	226	W-184226-00	Oil Plug	1
C02	O-S34	" O " Ring	1	583	W-252583-00	Retainer Button (F)	1	385	W-254385-00	Adjusting Screw	1
C03	O-S15	" O " Ring	1	587	W-254587-00	Oil Cylinder	1	438	W-276438-05	Spindle (D)	1
D01	SS-46D	Set Screw	1	588	W-254588-01	Oil Cylinder Upper Plate	1	587	W-254587-00	Oil Cylinder	1
J01	B-4U	Ball	1	589	W-254589-00	Oil Cylinder Lower Plate	1	588	W-254588-01	Oil Cylinder Upper Plate	1
J02	B-3	Ball	1	590A	W-276590-00	Spindle Blade	1	589	W-254589-00	Oil Cylinder Lower Plate	1
CP No.	W-285033-00	Front Case CP		590B	W-276590-01	Spindle Blade	1	590A	W-276590-00	Spindle Blade	1
490	W-254490-00	Spindle Bushing	1	591	W-254591-00	Blade Spring	2	590B	W-276590-01	Spindle Blade	1
593	W-285593-00	Front Case	1	592	W-254592-00	Cylinder Case	1	591	W-254591-00	Blade Spring	2
L01	PL-1/8	Plug	1	711	W-254711-00	Cylinder Cover	1	592	W-254592-00	Cylinder Case	1
207	W-276207-00	Rotor	1	B03	NR-2.56	Needle Roller	2	711	W-254711-00	Cylinder Cover	1
208	W-276208-00	Rotor Blade	9	B04	NR-2.512	Needle Roller	2	B03	NR-2.56	Needle Roller	2
209	W-276209-01	Cylinder	1	C04	O-S27.5F (H)	" O " Ring	1	B04	NR-2.512	Needle Roller	2
(B05)	SP-2.56	Spring Pin	1	C05	O-S2F (H)	" O " Ring	1	C04	O-S27.5F (H)	" O " Ring	1
(B06)	SP-2.56	Spring Pin	1	C06	BR-S2.5FT2	Back Up Ring	1	C05	O-S2F (H)	" O " Ring	1
210	W-276210-01	Oil Cylinder Upper Plate	1	C07	BR-112	Back UP Ring	1	C06	BR-S2.5FT2	Back Up Ring	1
211	W-276211-01	Oil Cylinder Lower Plate	1	C08	O-KX12 (H)	" X " Ring	1	C07	BR-112	Back UP Ring	1
(B07)	SP-2.55	Spring Pin	1	C09	O-S3 (H)	" O " Ring	1	C08	O-KX12 (H)	" X " Ring	1
250	W-276250-00	Exhaust Cover	1	<b>FPW-660D-4</b>							
255	W-276255-00	Motor Fastening Nut	1	CP No.	W-276021-05	Oil Cylinder CP (D)		<b>OPTIONAL PART For FPW-660-4</b>			
388	W-305388-00	Spring Holder (For FPW-660D-4, -40)	1	104	W-254104-00	Bushing	1	<b>" PL " SPINDLE</b>			
440	W-305440-00	Ring (For FPW-660D-4, -40)	1	226	W-184226-00	Oil Plug	1	CP No.	W-276021-07	Oil Cylinder CP (PL)	
557	W-276557-00	Rubber Protector	1	385	W-254385-00	Adjusting Screw	1	438	W-276438-06	Spindle (P)	1
625	W-305625-01	Bit Cover (For FPW-660D-4, -40)	1	438	W-276438-04	Spindle (D)	1	<b>" BF " SPINDLE</b>			
651	W-225651-00	Hanger	1	587	W-254587-00	Oil Cylinder	1	CP No.	W-276021-01	Oil Cylinder CP (BF)	
664	W-305664-00	Finder Spring (For FPW-660D-4, -40)	1	588	W-254588-01	Oil Cylinder Upper Plate	1	438	W-276438-01	Spindle (B)	1
A01	BB-EE2	Ball Bearing	1	589	W-254589-00	Oil Cylinder Lower Plate	1	(541)	W-254541-00	Button Retainer Spring (F)	1
				590A	W-276590-00	Spindle Blade	1	551	W-252551-00	Plug	1
				590B	W-276590-01	Spindle Blade	1	583	W-252583-00	Retainer Button (F)	1

CP No. denotes the assembled parts comprising of more than 1 pc. of parts.   
  Standard Accessories : (FPW-660-4)  
 F-701-1.....1.5mm Hex. Pin Wrench 1.  
 F-705.....5 mm Hex. Pin Wrench 1.  
 #209, 211 and 438 are supplied together with parts shown in ( ).  
 Specify parts number and quantity in ordering.

(FPW-660D-4, -40)  
 F-701-1.....1.5mm Hex. Pin Wrench 1.  
 F-705.....5 mm Hex. Pin Wrench 1.  
 PB-2.3.....75mm Driver Bits 1.